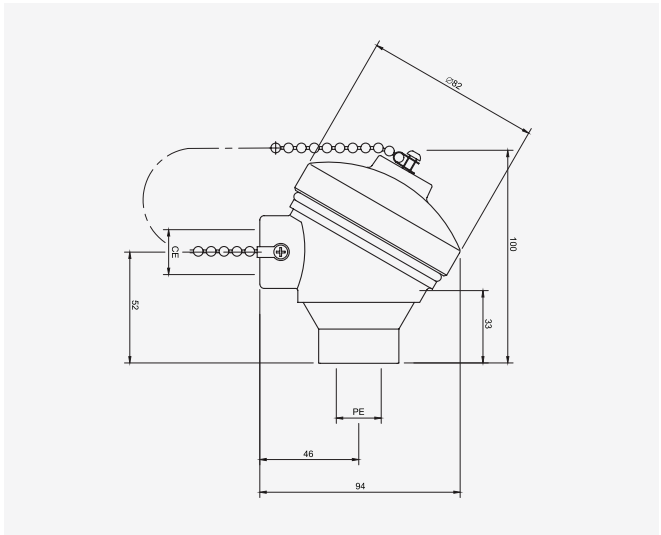


# Type 44

## Connection Head

Connection Heads



The Type 44 connection head is manufactured from 316 stainless steel and is also sometimes known as a LS connection head. This stainless steel housing can be fitted with most types of ceramic terminal block or DIN standard transmitter and is weatherproof to IP68. A chain is supplied which connects the lid and body.

<b>Material</b>	316 Stainless Steel
<b>Cable Entry</b>	M20 x 1.5
<b>Probe Entry</b>	1/2" BSPP
<b>IP Rating</b>	IP68
<b>Approvals</b>	-
<b>Termination</b>	Terminal Block / Transmitter
<b>Weight (Kg)</b>	0.78