

USBX USER GUIDE

ATEX APPROVED COMMUNICATIONS MODULE FOR SEM210X, SEM310X FOR USE IN SAFE AREA ONLY.



Important - Please read this document before any installing.

Every effort has been taken to ensure the accuracy of this document, however we do not accept responsibility for damage, injury, loss or expense resulting from errors and omissions, and we reserve the right of amendment without notice.



IMPORTANT - CE & SAFETY REQUIREMENTS

Product must be use inside a suitable safe area providing environmental protection to IP65 or greater.

To maintain CE EMC requirements, USB cable must be less than 1 metre.

The product contains no serviceable parts, or internal adjustments. No attempt must be made to repair this product. Faulty units must be returned to supplier for repair.

This product must be installed by a qualified person. All electrical wiring must be carried out in accordance with the appropriate regulations for the place of installation.

Before attempting any electrical connection work, please ensure all supplies are switched off.

ABSOLUTE MAXIMUM CONDITIONS (To exceed may cause damage to the unit) :-

Ambient Temperature (0 to 30) °C Humidity (10 to 95) % RH (Non condensing)

1.0 DESCRIPTION

1.1 The USBX Config unit provides a USB powered interface between a Windows computer and Status Instruments SEM310X and SEM210X configurable temperature and process instruments.

1.2 Using a standard PC USB port the module enables the user to interrogate their equipment, including re-ranging and re-configuration using a Windows based interface. The transmitter or any connections to it must be located in the safe area

2.0 RECEIVING AND UNPACKING

2.1 Please inspect the packaging and instrument thoroughly for any signs of transit damage. If the instrument has been damaged, please notify your supplier immediately

3.0 PRECAUTIONS

3.1 **Do not** allow the two terminal / molex connections on the output of the module to short together. Whilst the ATEX USB Config is protected by a self-resetting circuit certain models of PC are not protected against high current draw from their USB ports and damage could be caused if the user is not careful.

3.2 **Do not** attempt to configure anything but approved configurable equipment; doing so could damage the USB Configurator as well as the host computer.

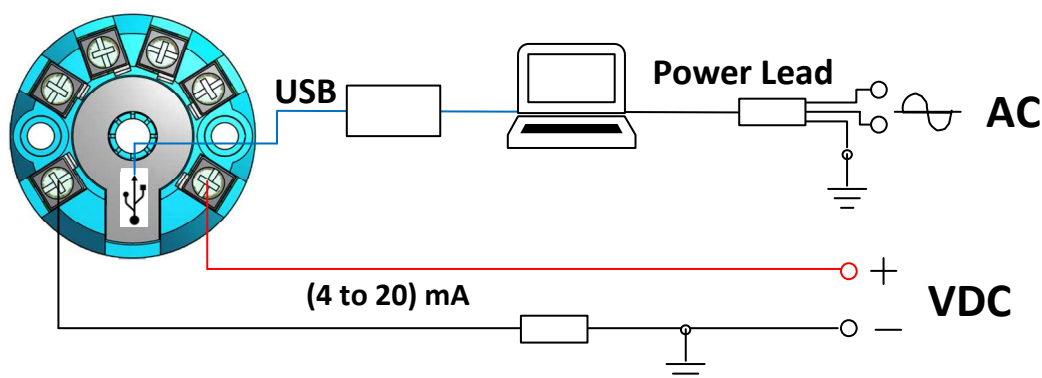
3.3 Connecting the USB configuration module to powered equipment incorrectly can **permanently damage** the USB configuration module or the SEM210X/SEM310X.



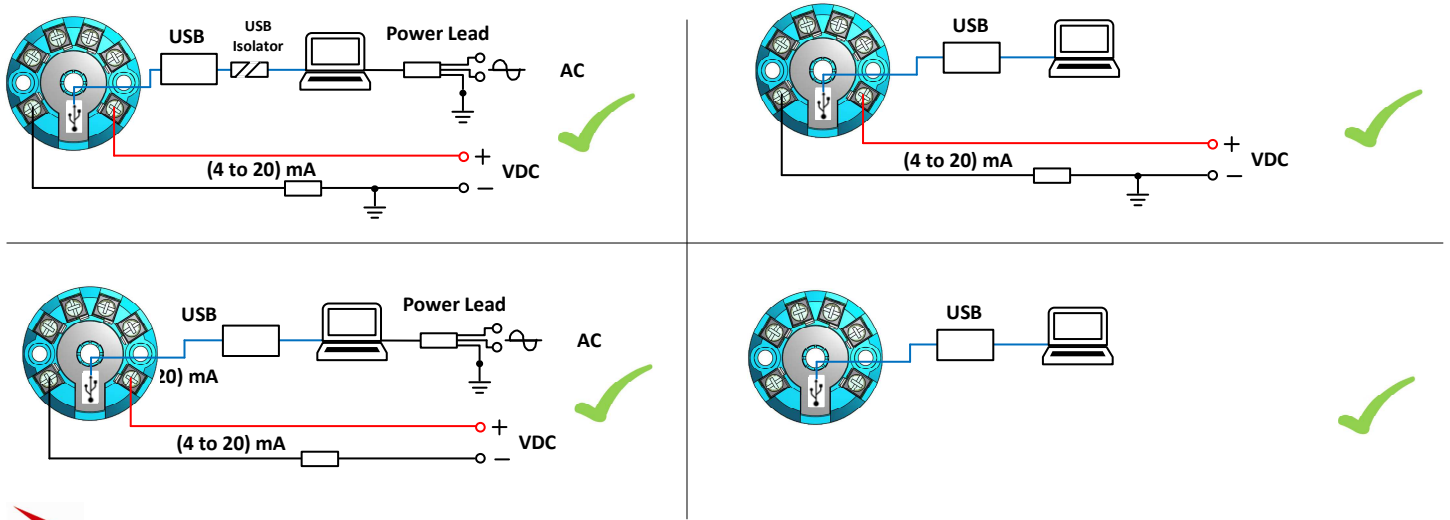
Configuration – Only to be performed in the safe area

Note: - The SEM210X-SEM310X can be configured whilst connected and powered, but a portable battery powered computer must be used to avoid the effects of ground loops if the (4 to 20) mA loop is grounded. This may damage the SEM210X-SEM310X. **Only to be performed in the safe area.**

Incorrect connection shown below. Fig 1



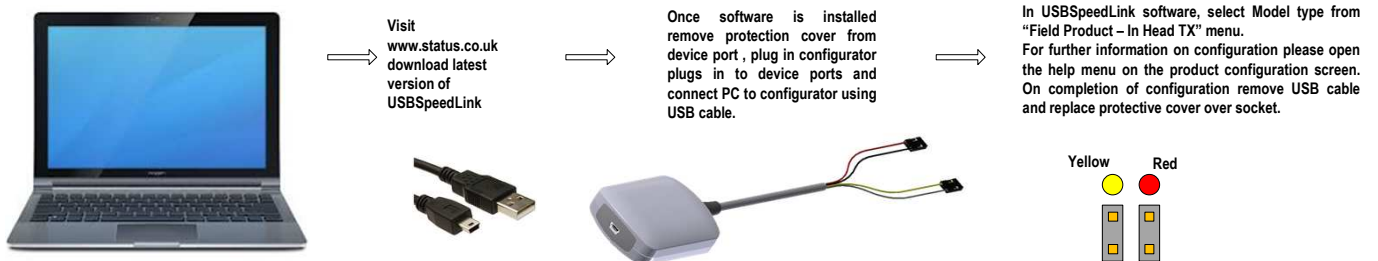
Correct connection shown below Fig 2



4.0 OPERATION

- 4.1 To use your USB Config module you will first need to install USB Speedlink software, which is available as a free download from <http://www.status.co.uk/software.html>.
- 4.2 Connect the ATEX USB configuration module to the PC via the USB lead.
- 4.3 The software will recognise when the ATEX USB module is attached. This may take a few minutes the first time the ATEX USB Module is attached while the software drivers are loaded.
- 4.4 Connect the unit you wish to configure to the USB module via the appropriate leads (See Fig 3), refer to the instruments user guide for the connection details.
- 4.5 In the USB Speedlink software select the type of instrument to be configured, the USB module will now communicate with the instrument and present the correct screen for configuring the instrument.

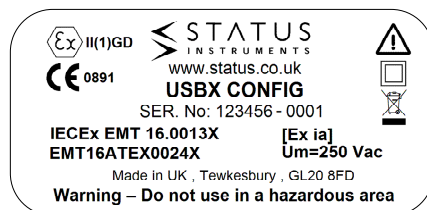
Fig 3



5.0 SPECIAL CONDITIONS FOR USE

- 5.1 The USBX Config is only to be connected to a Windows personal computer or Windows laptop type computer
- 5.2 The USBX and connected computer are only to be used in the safe area
- 5.3 Indoor use only. The temperature transmitter must be located in the safe area when being used with the USBX Config. For use with SEM210X and SEM 310X certified under IECEx EMT 16.0003X or EMT16ATEX0005X.

6.0 MARKING



7.0 GENERAL INFORMATION

7.1 The USBX config unit contains no serviceable parts, or internal adjustments. No attempt must be made to repair this product. Faulty units must be returned to supplier for repair.

7.2 The ATEX USB Configuration module is powered completely from the USB port on your computer; you do not require an external power supply for configuration. The USB Configuration module will power the instrument connected to it during the configuration process for configuration only. To take live readings and perform certain adjustments the SEM210X or SEM310X may need to be connected to a loop supply. The transmitter or any connections to it must be located in the safe area. Refer to the SEM210X and SEM310X documentation for further information.

It is not recommended to leave the module plugged into a laptop computer for long periods of time when the laptop is running on batteries as this will affect battery life adversely, especially if an instrument is left connected to the configurator.

<http://www.status.co.uk/software.html>.

7.3 If you have any questions regarding the configuration of Status Instruments equipment please contact your supplier.

7.4 Please see the Status Instruments website –

<http://www.status.co.uk> for a wide range of temperature and process equipment with direct PC to instrument USB configuration, removing the need for a configuration module altogether.