



Product information

Process pressure

Pressure transmitter

VEGABAR 81

VEGABAR 82

VEGABAR 83



Contents

1	Measuring principle.....	3
2	Type overview.....	4
3	Instrument selection.....	5
4	Selection criteria.....	6
5	Housing overview	7
6	Mounting.....	8
7	Electronics - 4 ... 20 mA - two-wire.....	9
8	Electronics - 4 ... 20 mA/HART - two-wire.....	10
9	Electronics - Profibus PA	11
10	Electronics - Foundation Fieldbus	12
11	Electronics - Modbus, Levelmaster protocol	13
12	Adjustment	14
13	Dimensions.....	16

Take note of safety instructions for Ex applications



Please note the Ex specific safety information that you can find at www.vega.com and that comes with each instrument. In hazardous areas you should take note of the appropriate regulations, conformity and type approval certificates of the sensors and power supply units. The sensors must only be operated on intrinsically safe circuits. The permissible electrical values are stated in the certificate.

1 Measuring principle

1.1 Basic function

The pressure of the measured medium acts on the pressure measuring cell, converting this pressure into an electronic signal. The ceramic-capacitive CERTEC® and MINI-CERTEC® as well as the metallic METEC®, piezo and strain gauge measuring cells are used.

1.2 Measuring cell technology

VEGABAR 81

VEGABAR 81 is equipped with a chemical seal. It consists of a process diaphragm as well as a transmission liquid.

The process pressure acts on the sensor element via the chemical seal. Depending on the measuring range, the sensor element is piezoresistive or a strain gauge system.

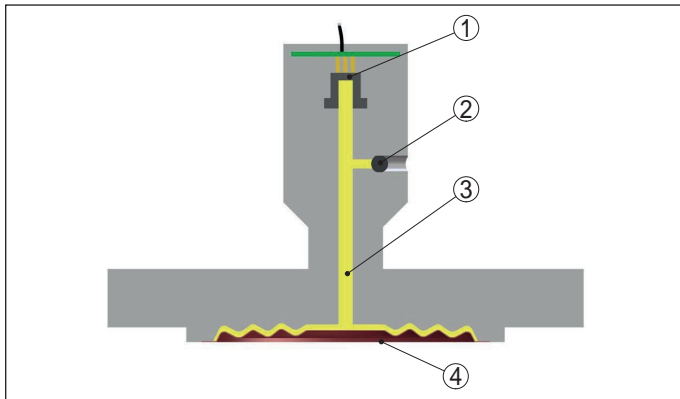


Fig. 1: Configuration of a chemical seal system

- 1 Sensor element
- 2 Sealed screw
- 3 Transmission liquid
- 4 Stainless steel diaphragm

VEGABAR 82

The sensor element is the ceramic CERTEC® measuring cell with front-flush, abrasion-resistant ceramic diaphragm.

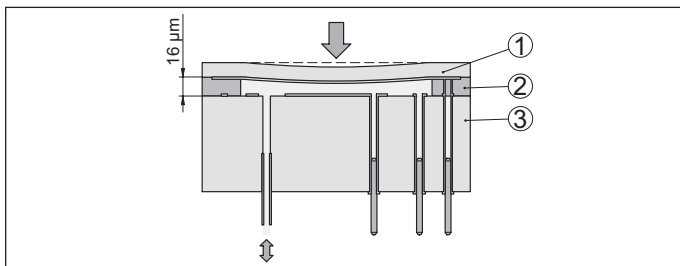


Fig. 2: Configuration of the CERTEC® measuring cell in VEGABAR 82

- 1 Process diaphragm
- 2 Glass joint
- 3 Base element

The CERTEC® measuring cell is also equipped with a temperature sensor. The temperature value can be displayed via the display and adjustment module or processed via the signal output.

VEGABAR 83

Measuring ranges up to 40 bar: piezoresistive sensor element with internal transmission liquid is used.

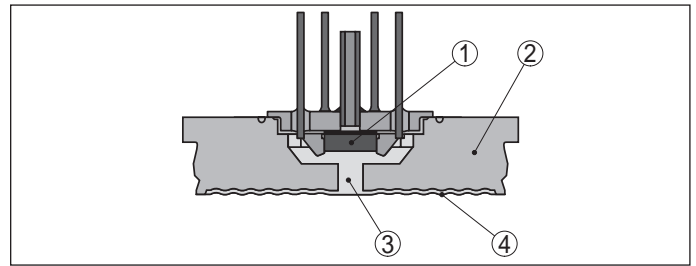


Fig. 3: Configuration of the piezoresistive measuring cell in VEGABAR 83

- 1 Sensor element
- 2 Base element
- 3 Silicone oil filling
- 4 Process diaphragm

For measuring ranges above 100 bar, a strain gauge (DMS) sensor element (dry system) is used.

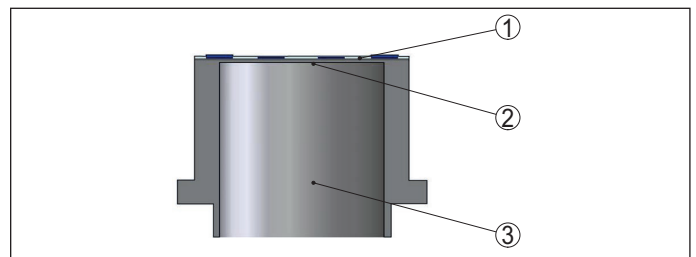


Fig. 4: Configuration of the strain gauge measuring cell in VEGABAR 83

- 1 Sensor element
- 2 Process diaphragm
- 3 Pressure cylinder

With small measuring ranges or higher temperatures, the METEC® measuring cell is used. It consists of the ceramic-capacitive CERTEC® measuring cell and a special, temperature-compensated chemical seal system.

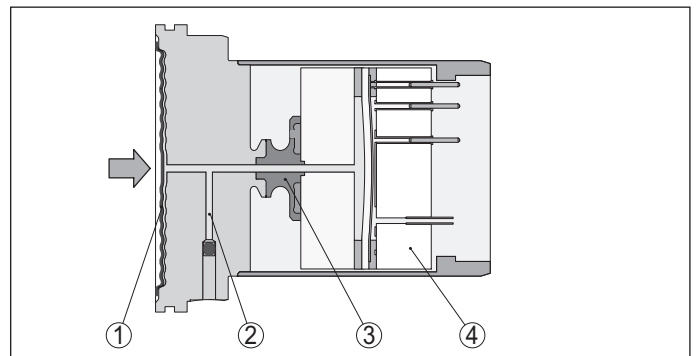


Fig. 5: Configuration of the METEC® measuring cell in VEGABAR 83

- 1 Process diaphragm
- 2 Isolating liquid
- 3 FeNi adapter
- 4 CERTEC® measuring cell

2 Type overview

VEGABAR 81



VEGABAR 82



VEGABAR 83



Measuring cell	Piezoresistive/DMS	CERTEC®	Piezoresistive/strain gauge, METEC®
Diaphragm	Metal	Ceramic	Metal
Media	gases, vapours and liquids, also aggressive ones, at high temperatures	gases, vapours and liquids, also with abrasive substances	gas, vapours and liquids, also viscous
Process fitting	Thread from G½ or ½ NPT Flanges from DN 20 Boltings, tube isolating diaphragm each from DN 25	Thread from G½ or ½ NPT Flanges from DN 15 Extension fittings from 1"	Thread from G1 or ½ NPT Flanges from DN 20 Boltings, tube isolating diaphragm each from DN 25
Material Process fitting	316L	316L, PVDF, Alloy C22 (2.4602), Alloy C276 (2.4819)	316L
Material Diaphragm	316L, Alloy C276 (2.4819), Tantalum, gold on 316L	Al ₂ O ₃ ceramic	Alloy C276 (2.4819), gold-coated, gold/rhodium-coated
Measuring cell seal	-	FKM, EPDM, FFKM	-
Isolating liquid	Silicone oil, high temperature oil, halocarbon oil, medical white oil	Dry measuring system	Silicone oil, Halocarbon oil Medical white oil
Measuring range	-1 ... +1000 bar/-100 ... +100 MPa (-14.5 ... +14500 psig)	-1 ... +100 bar/-100 ... +10 MPa (-14.5 ... +1450 psig)	-1 ... +1000 bar/-100 ... +100 MPa (-14.5 ... +14500 psig)
Smallest measuring range	0.4 bar/40 kPa (5.802 psig)	0.025 bar/2.5 kPa (1.45 psig)	0.1 bar/10 kPa (1.45 psig)
Process temperature	-90 ... +400 °C (-130 ... +752 °F)	-40 ... +150 °C (-40 ... +302 °F)	-40 ... +200 °C (-40 ... +392 °F)
Smallest deviation	< 0.2 %	< 0.05 %	< 0.075 %
Signal output	<ul style="list-style-type: none"> ● 4 ... 20 mA ● 4 ... 20 mA/HART ● Profibus PA ● Foundation Fieldbus ● Modbus 	<ul style="list-style-type: none"> ● 4 ... 20 mA ● 4 ... 20 mA/HART ● Profibus PA ● Foundation Fieldbus ● Modbus 	<ul style="list-style-type: none"> ● 4 ... 20 mA ● 4 ... 20 mA/HART ● Profibus PA ● Foundation Fieldbus ● Modbus
Interface	Digital interface for Slave sensor	Digital interface for Slave sensor	Digital interface for Slave sensor
Indication/Adjustment	<ul style="list-style-type: none"> ● PLICSCOM ● PACTware ● VEGADIS 81 ● VEGADIS 62 	<ul style="list-style-type: none"> ● PLICSCOM ● PACTware ● VEGADIS 81 ● VEGADIS 62 	<ul style="list-style-type: none"> ● PLICSCOM ● PACTware ● VEGADIS 81 ● VEGADIS 62
Approvals	<ul style="list-style-type: none"> ● SIL ● Shipbuilding ● ATEX ● Overfill protection ● FM ● CSA ● EAC (GOST) 	<ul style="list-style-type: none"> ● SIL ● Shipbuilding ● ATEX ● Overfill protection ● FM ● CSA ● EAC (GOST) 	<ul style="list-style-type: none"> ● SIL ● Shipbuilding ● ATEX ● Overfill protection ● FM ● CSA ● EAC (GOST)

3 Instrument selection

Application area

With VEGABAR process pressure transmitters, pressures and levels of liquids, gases and vapours are detected. They are also developed for use in chemically aggressive liquids as well as in hazardous or hygienic areas.

All VEGABAR sensors can be upgraded to an electronic differential pressure system.

VEGABAR 81

VEGABAR 81 is a pressure transmitter with chemical seal for pressure and level measurement. The process-adapted chemical seal systems of VEGABAR 81 ensure reliable measurement even in highly corrosive and hot media.

VEGABAR 82

The VEGABAR 82 pressure transmitter can be used universally for measurement of gases, vapours and liquids. Even materials like sand are no problem for the abrasion-resistant ceramic measuring cell. VEGABAR 82 is an economical solution for a multitude of applications in all areas of industry.

VEGABAR 83

VEGABAR 83 is a pressure transmitter for pressure measurement of gases, vapours and liquids in all industries. VEGABAR 83 offers special advantages for applications with high pressures.

Configuration and housing protection classes

Pressure transmitters VEGABAR 81, 82 and 83 are available in different materials and housing protection classes. The following illustrations show typical examples.

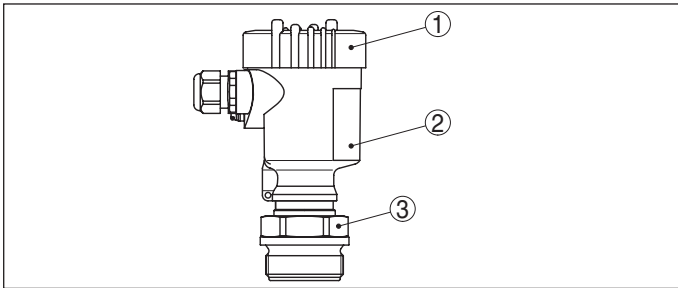


Fig. 9: Example of a VEGABAR 82 with plastic housing with protection rating IP 66/ IP 67

- 1 Housing lid with integrated display and adjustment module (optional)
- 2 Housing with electronics
- 3 Process fitting with measuring cell

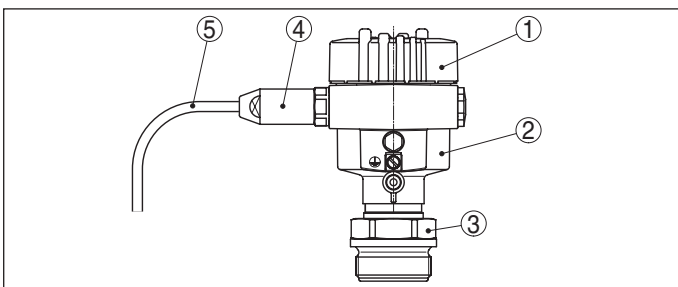


Fig. 10: Example of a VEGABAR 82 with aluminium housing in protection class IP 66/IP 68, 1 bar

- 1 Housing lid with integrated display and adjustment module (optional)
- 2 Housing with electronics
- 3 Process fitting with measuring cell
- 4 Cable gland
- 5 Connection cable

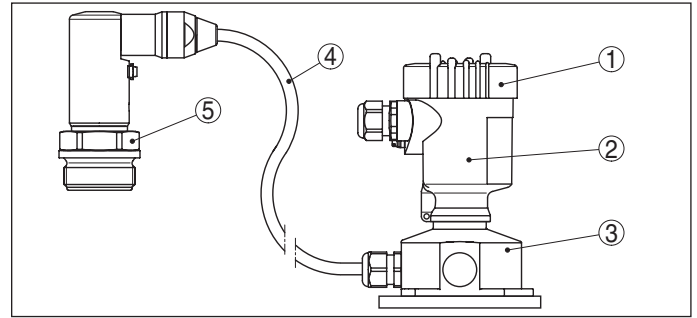


Fig. 11: Example of a VEGABAR 82 with protection rating IP 68 and external electronics

- 1 Housing lid with integrated display and adjustment module (optional)
- 2 Housing with electronics
- 3 Housing base
- 4 Connection cable
- 5 Process module

Measured variables

The pressure transmitters VEGABAR 81, 82 and 83 are suitable for measurement of the following process variables:

- Process pressure
- Level

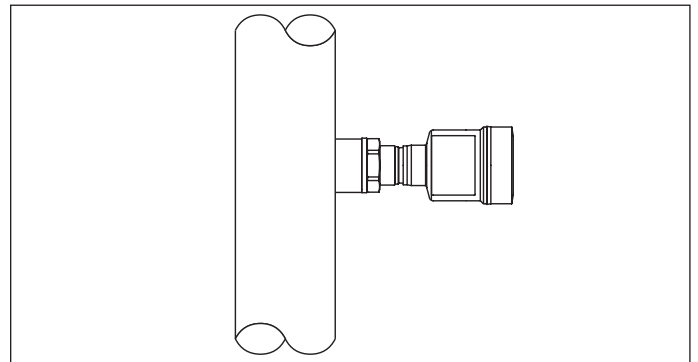


Fig. 12: Process pressure measurement

In conjunction with a Slave sensor for electronic differential pressure measurement, the instruments are also suitable for the measurement of the following process variables:

- Level, pressurized
- Differential pressure
- Flow
- Density
- Interface

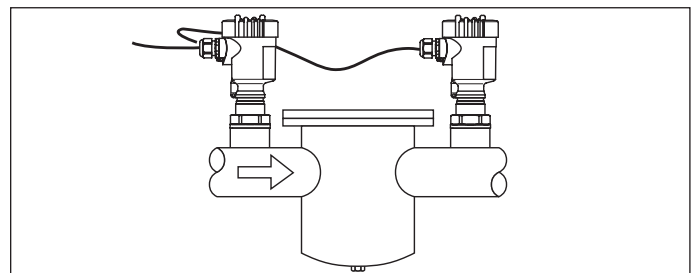






Fig. 13: Electronic differential pressure measurement through Master/Slave combination




4 Selection criteria



		VEGABAR 81	VEGABAR 82	VEGABAR 83
Wear through process	Aggressive products	●	–	●
	Abrasive products	–	●	–
Process temperature up to	+150 °C (+302 °F)	●	●	●
	+200 °C (+302 °F)	●	–	●
	+400 °C (+752 °F)	●	–	–
Measuring system	Dry	–	●	●
	Oil-filled	●	–	●
Version process fittings	Not front-flush	–	●	●
	Front-flush	●	●	●
	Hygienic	●	●	●
Largest measuring range	100 bar (10 MPa)	●	●	●
	1000 bar (100 MPa)	●	–	●
Smallest measuring range	25 mbar (2.5 kPa)	–	●	–
	100 mbar (10 kPa)	–	●	●
	400 mbar (40 kPa)	●	●	●
Vacuum applications up to	1 mbar _{abs} (100 Pa)	–	●	–
Suitability for industry-specific applications	Aggregates and mining industry	–	●	●
	Chemical	●	●	–
	Power generation	●	●	–
	Foodstuffs	●	●	●
	Metal production	–	●	●
	Offshore	●	●	–
	Paper	●	●	●
	Petrochemical	●	●	–
	Pharmaceutical	●	●	●
	Shipbuilding	–	●	●
	Environment and recycling industry	–	●	–
	Water, waste water	–	●	–
	Cement industry	–	●	●

5 Housing overview

Plastic PBT		
Protection rating	IP 66/IP 67	IP 66/IP 67
Version	Single chamber	Double chamber
Application area	Industrial environment	Industrial environment

Aluminium		
Protection rating	IP 66/IP 67, IP 66/IP 68 (1 bar)	IP 66/IP 67, IP 66/IP 68 (1 bar)
Version	Single chamber	Double chamber
Application area	Industrial environment with increased mechanical stress	Industrial environment with increased mechanical stress

Stainless steel 316L			
Protection rating	IP 66/IP 67 IP 69K	IP 66/IP 67 IP 66/IP 68 (1 bar)	
Version	Single chamber, electropolished	Single chamber, precision casting	Double chamber, precision casting
Application area	Aggressive environment, food processing, pharmaceutical	Aggressive environment, extreme mechanical stress	

Separate version		
Material	Stainless steel 316L	Plastic PBT Stainless steel 316L
Protection rating	IP 68 (25 bar)	IP 65 IP 66/IP 67
Function	Transmitter	External electronics
Application area	Extremely moist environment	Industrial environment

6 Mounting

Installation position

The instruments function in any installation position. But the installation position can influence the measurement, depending on the measuring system. This can be compensated by a position correction.

It is useful to select an installation position you can easily reach for mounting and connecting as well as later retrofitting of an display and adjustment module. For this purpose, the housing can be rotated by 330° without the use of any tools. You can also install the indicating and adjustment module in four different positions (each displaced by 90°).

Mounting examples and measurement setups

The following illustrations show mounting examples and measurement setups.

Process pressure measurement

The VEGABAR measures the pressure in a pipeline.

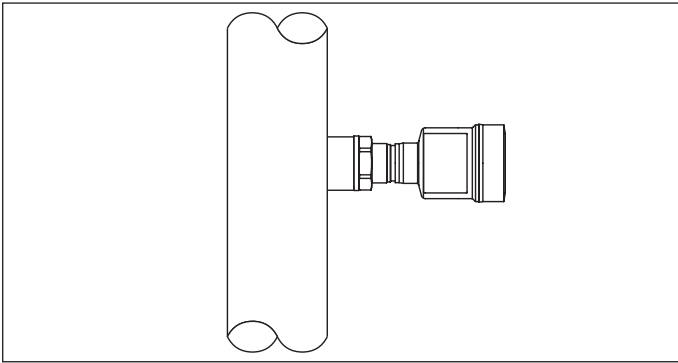


Fig. 23: Process pressure measurement on a pipeline with VEGABAR

Level measurement

The VEGABAR measures the level in a vessel.

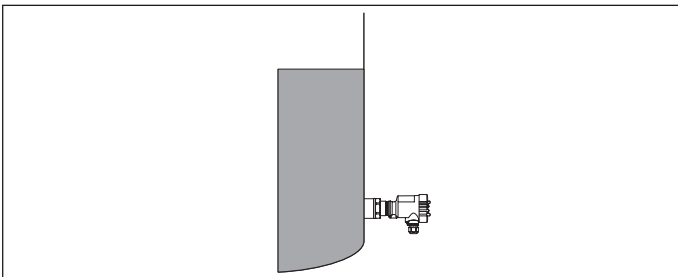


Fig. 24: Level measurement in a vessel with VEGABAR

7 Electronics - 4 ... 20 mA - two-wire

Configuration of the electronics

The plug-in electronics is mounted in the electronics compartment of the instrument and can be exchanged by the user when servicing is required. The electronics is completely encapsulated to protect against vibration and moisture.

The terminals for voltage supply as well as the contact pins with I²C interface for parameter adjustment are located on the upper side of the electronics. In the double-chamber housing, the terminals are located in the separate terminal compartment.

Voltage supply

Power supply and current signal are carried on the same two-wire cable. The operating voltage can differ depending on the instrument version.

You can find the data of the voltage supply in chapter "Technical data" in the operating instructions manual of the respective instrument.

Provide a reliable separation between the supply circuit and the mains circuits according to DIN EN 61140 VDE 0140-1.

Specifications of the voltage supply:

- Operating voltage
 - 9.6 ... 35 V DC
- Permissible residual ripple - Non-Ex, Ex-ia instrument
 - for U_N 12 V DC: ≤ 0.7 V_{eff} (16 ... 400 Hz)
 - for U_N 24 V DC: ≤ 1.0 V_{eff} (16 ... 400 Hz)
- Permissible residual ripple - Ex-d-ia instrument
 - for U_N 24 V DC: ≤ 1.0 V_{eff} (16 ... 400 Hz)

Keep in mind the following additional factors that influence the operating voltage:

- Lower output voltage of the power supply unit under nominal load (e.g. with a sensor current of 20.5 mA or 22 mA in case of fault)
- Influence of additional instruments in the circuit (see load values in chapter "Technical data" of the operating instructions of the respective instrument)

Connection cable

The instrument is connected with standard two-wire cable without screen. If electromagnetic interference is expected which is above the test values of EN 61326-1 for industrial areas, screened cable should be used.

Cable screening and grounding

If screened cable is required, we recommend connecting the cable screening on both ends to ground potential. In the sensor, the shielding must be connected directly to the internal ground terminal. The ground terminal on the outside of the housing must be connected to the ground potential (low impedance).

Connection

Single chamber housing

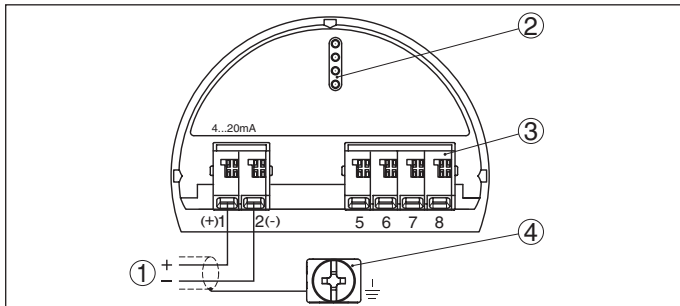


Fig. 25: Electronics and connection compartment, single chamber housing

- 1 Voltage supply/Signal output
- 2 For display and adjustment module or interface adapter
- 3 For external display and adjustment unit
- 4 Ground terminal for connection of the cable screening

8 Electronics - 4 ... 20 mA/HART - two-wire

Configuration of the electronics

The plug-in electronics is mounted in the electronics compartment of the instrument and can be exchanged by the user when servicing is required. The electronics is completely encapsulated to protect against vibration and moisture.

The terminals for voltage supply as well as the contact pins with I²C interface for parameter adjustment are located on the upper side of the electronics. In the double-chamber housing, the terminals are located in the separate terminal compartment.

Voltage supply

Power supply and current signal are carried on the same two-wire cable. The operating voltage can differ depending on the instrument version.

You can find the data of the voltage supply in chapter "Technical data" in the operating instructions manual of the respective instrument.

Provide a reliable separation between the supply circuit and the mains circuits according to DIN EN 61140 VDE 0140-1.

Specifications of the voltage supply:

- Operating voltage
 - 9.6 ... 35 V DC
- Permissible residual ripple - Non-Ex, Ex-ia instrument
 - for U_N 12 V DC: $\leq 0.7 V_{\text{eff}}$ (16 ... 400 Hz)
 - for U_N 24 V DC: $\leq 1.0 V_{\text{eff}}$ (16 ... 400 Hz)
- Permissible residual ripple - Ex-d-ia instrument
 - for U_N 24 V DC: $\leq 1.0 V_{\text{eff}}$ (16 ... 400 Hz)

Keep in mind the following additional factors that influence the operating voltage:

- Lower output voltage of the power supply unit under nominal load (e.g. with a sensor current of 20.5 mA or 22 mA in case of fault)
- Influence of additional instruments in the circuit (see load values in chapter "Technical data" of the operating instructions of the respective instrument)

Connection cable

The instrument is connected with standard two-wire cable without screen. If electromagnetic interference is expected which is above the test values of EN 61326-1 for industrial areas, screened cable should be used.

We generally recommend the use of screened cable for HART multidrop mode.

Cable screening and grounding

If screened cable is required, we recommend connecting the cable screening on both ends to ground potential. In the sensor, the shielding must be connected directly to the internal ground terminal. The ground terminal on the outside of the housing must be connected to the ground potential (low impedance).

Connection

Single chamber housing

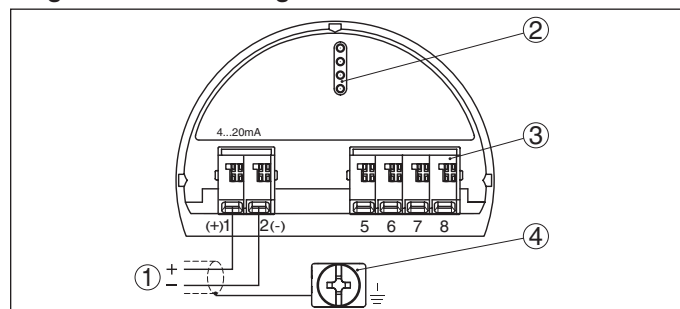


Fig. 26: Electronics and connection compartment, single chamber housing

- 1 Voltage supply/Signal output
- 2 For display and adjustment module or interface adapter
- 3 For external display and adjustment unit
- 4 Ground terminal for connection of the cable screening

Double chamber housing

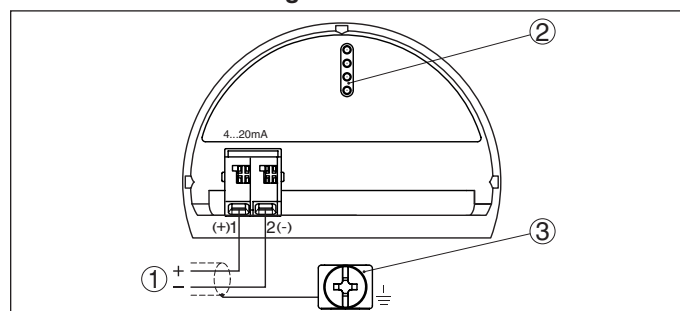


Fig. 27: Connection compartment, double chamber housing

- 1 Voltage supply/Signal output
- 2 For display and adjustment module or interface adapter
- 3 Ground terminal for connection of the cable screening

9 Electronics - Profibus PA

Configuration of the electronics

The plug-in electronics is mounted in the electronics compartment of the instrument and can be exchanged by the user when servicing is required. The electronics is completely encapsulated to protect against vibration and moisture.

The terminals for voltage supply as well as the plug with I²C interface for parameter adjustment are located on the upper side of the electronics. In the double-chamber housing, these connection elements are located in the separate connection compartment.

Voltage supply

The voltage supply is provided by a Profibus DP /PA segment coupler.

Specifications of the voltage supply:

- Operating voltage
 - 9 ... 32 V DC
- Max. number of sensors per DP/PA segment coupler
 - 32

Connection cable

Connection is carried out with screened cable according to Profibus specification.

Make sure that the entire installation is carried out according to the Profibus specification. In particular, make sure that the bus is terminated with suitable terminating resistors.

Cable screening and grounding

In systems with potential equalisation, connect the cable screening directly to ground potential at the power supply unit, in the connection box and at the sensor. The screen in the sensor must be connected directly to the internal ground terminal. The ground terminal outside on the housing must be connected to the potential equalisation (low impedance).

In systems without potential equalisation, connect the cable screening directly to ground potential on the power supply unit and the sensor. In the connection box or T-distributor, the shielding of the short stub to the sensor may not be connected to ground potential or to another cable screening.

Connection

Single chamber housing

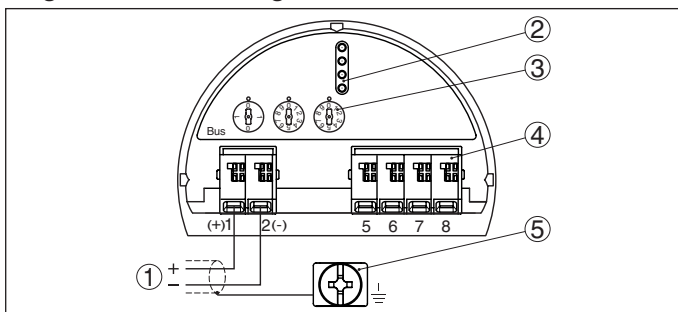


Fig. 28: Electronics and connection compartment, single chamber housing

- 1 Voltage supply/Signal output
- 2 For display and adjustment module or interface adapter
- 3 Selection switch for bus address
- 4 For external display and adjustment unit
- 5 Ground terminal for connection of the cable screening

Connection, double chamber housing

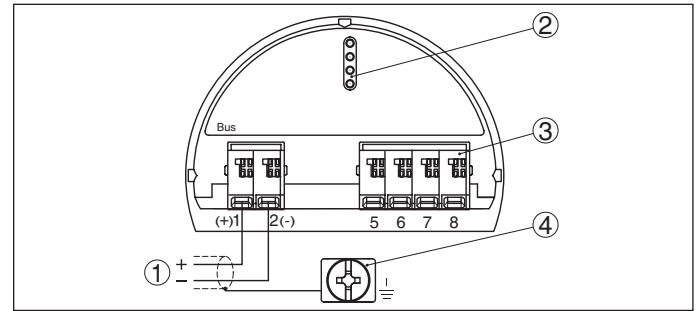


Fig. 29: Connection compartment, double chamber housing

- 1 Voltage supply, signal output
- 2 For display and adjustment module or interface adapter
- 3 For external display and adjustment unit
- 4 Ground terminal for connection of the cable screening

10 Electronics - Foundation Fieldbus

Configuration of the electronics

The plug-in electronics is mounted in the electronics compartment of the instrument and can be exchanged by the user when servicing is required. The electronics is completely encapsulated to protect against vibration and moisture.

The terminals for voltage supply as well as the plug with I²C interface for parameter adjustment are located on the upper side of the electronics. In the double-chamber housing, these connection elements are located in the separate connection compartment.

Voltage supply

Power supply via the H1 Fieldbus cable.

Specifications of the voltage supply:

- Operating voltage
 - 9 ... 32 V DC
- max. number of sensors
 - 32

Connection cable

Connection is carried out with screened cable according to Fieldbus specification.

Make sure that the entire installation is carried out according to the Fieldbus specification. In particular, make sure that the bus is terminated with suitable terminating resistors.

Cable screening and grounding

In systems with potential equalisation, connect the cable screening directly to ground potential at the power supply unit, in the connection box and at the sensor. The screen in the sensor must be connected directly to the internal ground terminal. The ground terminal outside on the housing must be connected to the potential equalisation (low impedance).

In systems without potential equalisation, connect the cable screening directly to ground potential on the power supply unit and the sensor. In the connection box or T-distributor, the shielding of the short stub to the sensor may not be connected to ground potential or to another cable screening.

Connection

Single chamber housing

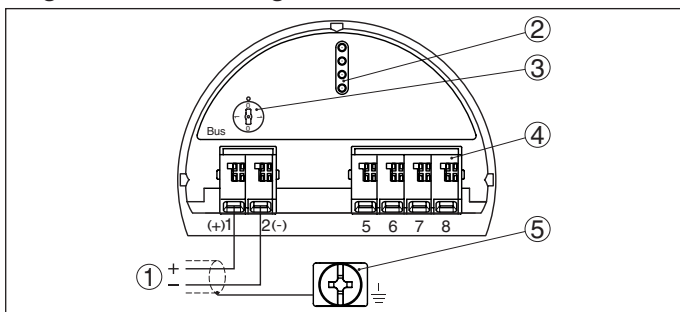


Fig. 30: Electronics and connection compartment, single chamber housing

- 1 Voltage supply/Signal output
- 2 Contact pins for the display and adjustment module or interface adapter
- 3 Selection switch for bus address
- 4 For external display and adjustment unit
- 5 Ground terminal for connection of the cable screening

Connection, double chamber housing

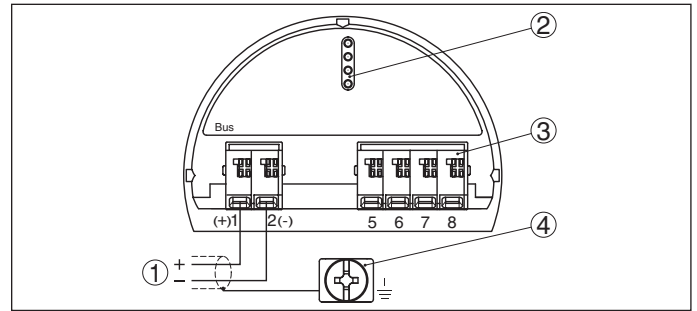


Fig. 31: Connection compartment, double chamber housing

- 1 Voltage supply, signal output
- 2 For display and adjustment module or interface adapter
- 3 For external display and adjustment unit
- 4 Ground terminal for connection of the cable screening

11 Electronics - Modbus, Levelmaster protocol

Configuration of the electronics

The plug-in electronics is mounted in the electronics compartment of the instrument and can be exchanged by the user when servicing is required. The electronics is completely encapsulated to protect against vibration and moisture.

The contact pins with I²C interface for parameter adjustment are located on the upper side of the electronics. The terminals for the power supply are located in the separate connection compartment.

Voltage supply

Power supply via the Modbus host (RTU)

- Operating voltage
 - 8 ... 30 V DC
- max. number of sensors
 - 32

Connection cable

The instrument is connected with standard two-wire, twisted cable suitable for RS 485. If electromagnetic interference is expected which is above the test values of EN 61326 for industrial areas, screened cable should be used.

For power supply, a separate two-wire cable is required.

Make sure that the entire installation is carried out according to the Fieldbus specification. In particular, make sure that the bus is terminated with suitable terminating resistors.

Cable screening and grounding

In systems with potential equalisation, connect the cable screening directly to ground potential at the power supply unit, in the connection box and at the sensor. The screen in the sensor must be connected directly to the internal ground terminal. The ground terminal outside on the housing must be connected to the potential equalisation (low impedance).

In systems without potential equalisation, connect the cable screening directly to ground potential on the power supply unit and the sensor. In the connection box or T-distributor, the shielding of the short stub to the sensor may not be connected to ground potential or to another cable screening.

Connection

Double chamber housing

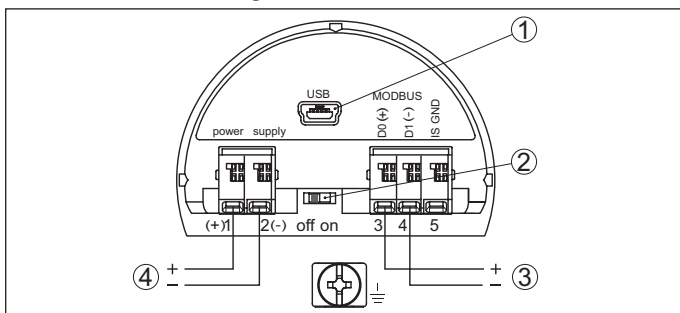


Fig. 32: Connection compartment

- 1 USB interface
- 2 Slide switch for integrated termination resistor (120 Ω)
- 3 Modbus signal
- 4 Voltage supply

12 Adjustment

12.1 Adjustment directly at the measuring point

Via the display and adjustment module through keys

The plug-in display and adjustment module is used for measured value indication, adjustment and diagnosis. It is equipped with an illuminated full dot matrix as well as four keys for adjustment.



Fig. 33: Display and adjustment module with single chamber housing

Via the display and adjustment module through magnetic pen

With the Bluetooth version of the display and adjustment module, the sensor can also be adjusted with the magnetic pen. This is done right through the closed lid (with inspection window) of the sensor housing.



Fig. 34: Display and adjustment module - with adjustment via magnetic pen

Via a PC with PACTware/DTM

The interface converter VEGACONNECT is required for connection of the PC. The converter is placed on the sensor instead of the display and adjustment module and connected to the USB interface of the PC.



Fig. 35: Connection of the PC via VEGACONNECT and USB

- 1 VEGACONNECT
- 2 Sensor
- 3 USB cable to the PC
- 4 PC with PACTware/DTM

PACTware is an adjustment software for configuration, parameter adjustment, documentation and diagnosis of field devices. The corresponding device drivers are called DTMs.

12.2 Operation in the measurement loop environment - wireless via Bluetooth

Via a smartphone/tablet

The display and adjustment module with integrated Bluetooth functionality allows wireless connection to smartphones/tablets with iOS or Android operating system. The adjustment is carried out via the VEGA Tools app from the Apple App Store or Google Play Store.

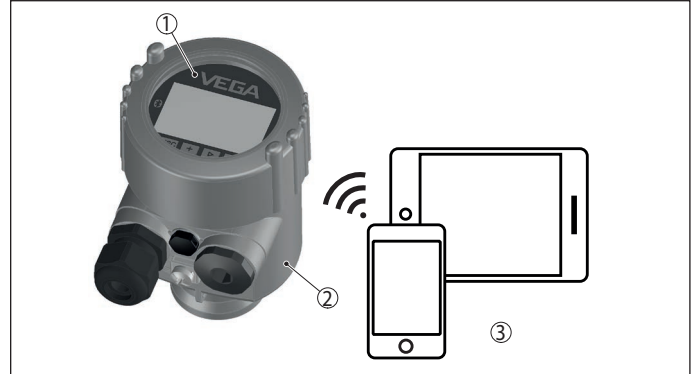


Fig. 36: Wireless connection to smartphones/tables

- 1 Display and adjustment module
- 2 Sensor
- 3 Smartphone/Tablet

Via a PC with PACTware/DTM

The wireless connection from the PC to the sensor is carried out via the Bluetooth USB adapter and a display and adjustment module with integrated Bluetooth function. The adjustment is carried out via the PC with PACTware/DTM.

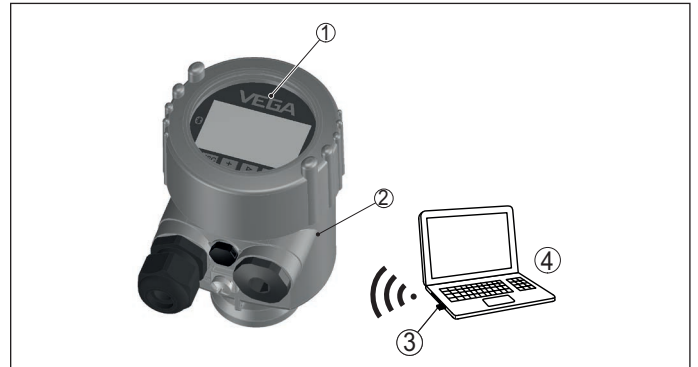


Fig. 37: Connection of the PC via Bluetooth USB adapter

- 1 Display and adjustment module
- 2 Sensor
- 3 Bluetooth USB adapter
- 4 PC with PACTware/DTM

12.3 Adjustment carried out at position remote from the measuring point - wired

Via external display and adjustment units

For this, the external display and adjustment units VEGADIS 81 and 82 are available. The adjustment is carried out via the keys of the built-in display and adjustment module.

The VEGADIS 81 is mounted at a distance of 50 m from the sensor and directly to the sensor electronics. VEGADIS 82 is looped directly into the signal cable at any point.

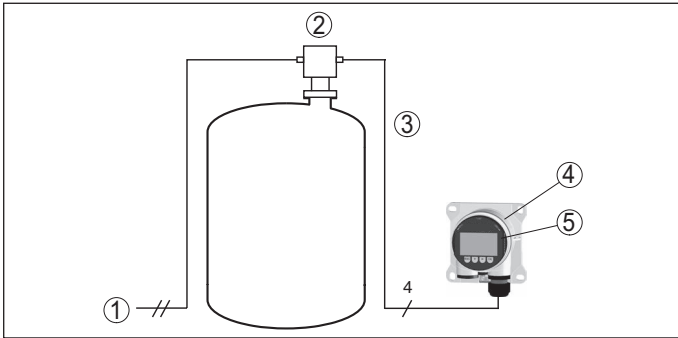


Fig. 38: Connection of VEGADIS 81 to the sensor

- 1 Voltage supply/Signal output sensor
- 2 Sensor
- 3 Connection cable sensor - external display and adjustment unit
- 4 External display and adjustment unit
- 5 Display and adjustment module

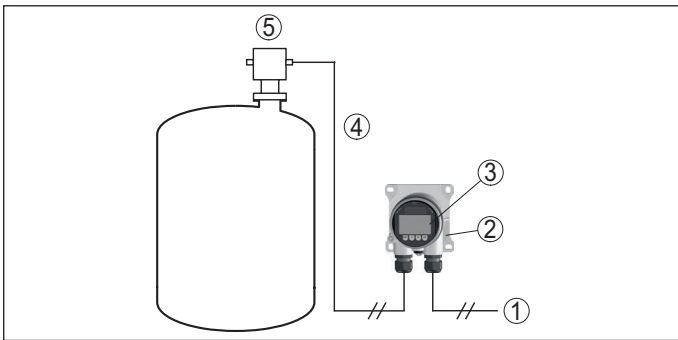


Fig. 39: Connection of VEGADIS 82 to the sensor

- 1 Voltage supply/Signal output sensor
- 2 External display and adjustment unit
- 3 Display and adjustment module
- 4 ... 20 mA/HART signal cable
- 5 Sensor

Via a PC with PACTware/DTM

The sensor adjustment is carried out via a PC with PACTware/DTM.

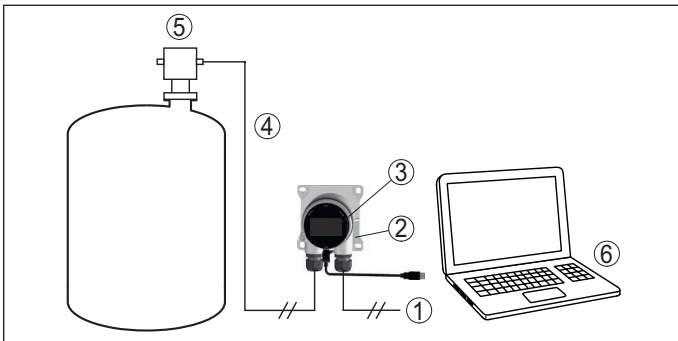


Fig. 40: Connection of VEGADIS 82 to the sensor, adjustment via PC with PACTware

- 1 Voltage supply/Signal output sensor
- 2 External display and adjustment unit
- 3 VEGACONNECT
- 4 ... 20 mA/HART signal cable
- 5 Sensor
- 6 PC with PACTware/DTM

12.4 Adjustment carried out at position remote from the measuring point - wireless through mobile network

As an option, the radio module PLICSMOBILE can be mounted into a plics® sensor with double chamber housing. It is used for transmission of measured values and for remote parameter adjustment of the sensor.

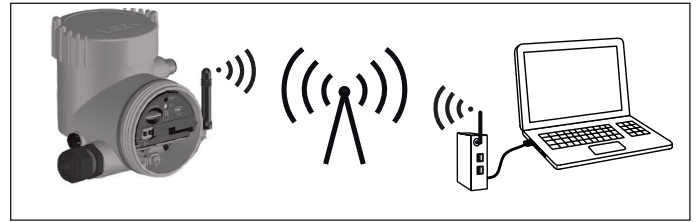


Fig. 41: Transmission of measured values and remote parameter adjustment of the sensor via mobile phone network.

12.5 Alternative adjustment programs

DD adjustment programs

Device descriptions as Enhanced Device Description (EDD) are available for DD adjustment programs such as, for example, AMS™ and PDM.

The files can be downloaded at www.vega.com/downloads under "Software".

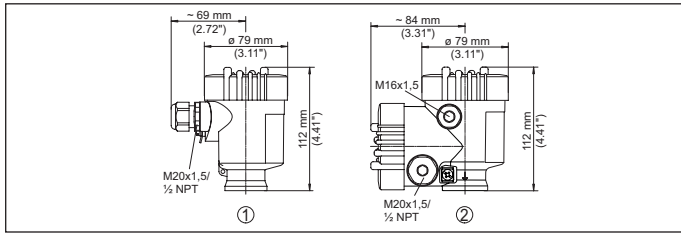
Field Communicator 375, 475

Device descriptions for the instruments are available as EDD for parameterisation with Field Communicator 375 or 475.

Integrating the EDD into the Field Communicator 375 or 475 requires the "Easy Upgrade Utility" software, which is available from the manufacturer. This software is updated via the Internet and new EDDs are automatically accepted into the device catalogue of this software after they are released by the manufacturer. They can then be transferred to a Field Communicator.

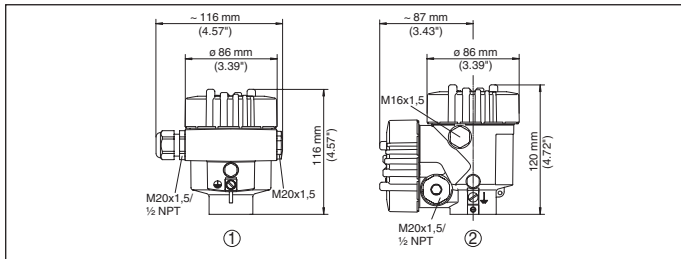
13 Dimensions

Plastic housing



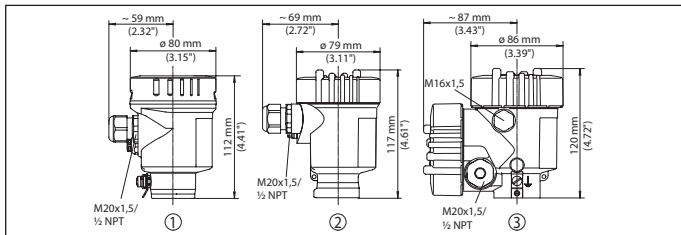
- 1 Single chamber housing
- 2 Double chamber housing

Aluminium housing



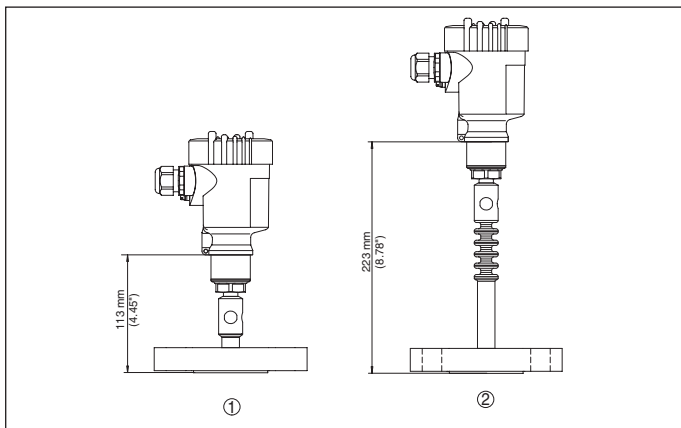
- 1 Single chamber housing
- 2 Double chamber housing

Stainless steel housing



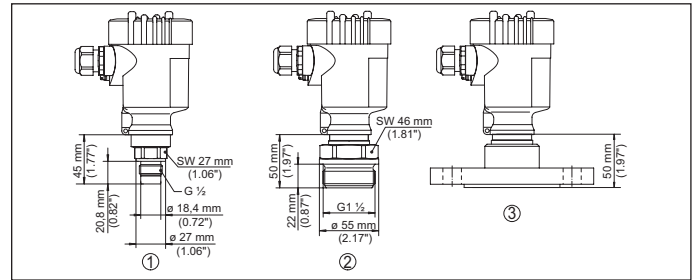
- 1 Single chamber housing, electropolished
- 2 Single chamber housing, precision casting
- 2 Double chamber housing, precision casting

VEGABAR 81



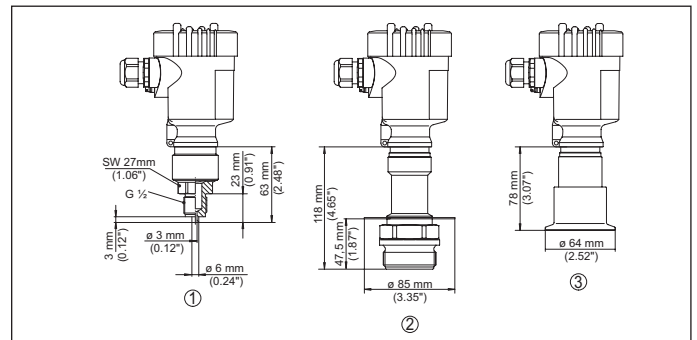
- 1 Flange version up to +150 °C (+302 °F)
- 2 Flange version with cooling element +400 °C (+752 °F)

VEGABAR 82



- 1 Threaded version G 1/2, front-flush
- 2 Threaded version G 1 1/2
- 3 Flange version DN 50

VEGABAR 83



- 1 Threaded version G 1/2, manometer connection EN 837
- 2 Threaded version front-flush with screening sheet (-12 ... +200 °C)
- 3 Clamp version 2"

The listed drawings represent only an excerpt of the available process fittings. You can find more drawings at www.vega.com/downloads under "Drawings".



All statements concerning scope of delivery, application, practical use and operating conditions of the sensors and processing systems correspond to the information available at the time of printing.
Subject to change without prior notice

© VEGA Grieshaber KG, Schiltach/Germany 2019

VEGA Grieshaber KG
Am Hohenstein 113
77761 Schiltach
Germany

Phone +49 7836 50-0
Fax +49 7836 50-201
E-mail: info.de@vega.com
www.vega.com

VEGA

45078-EN-190225