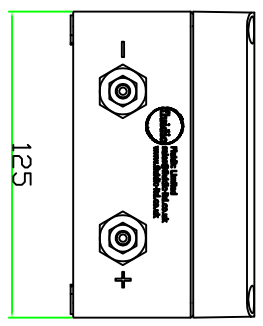
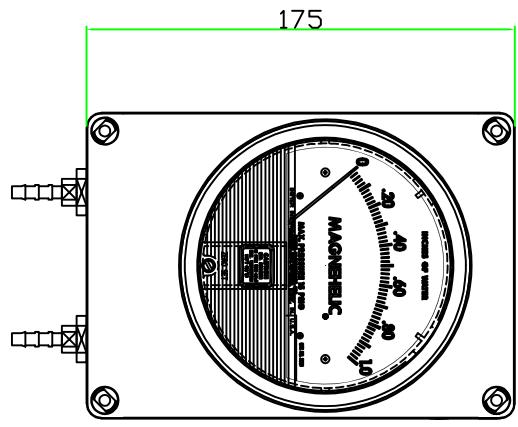
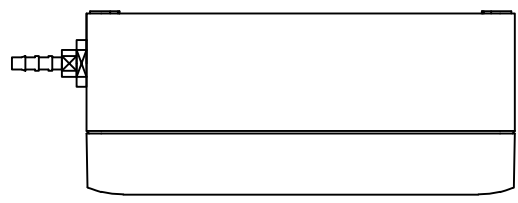
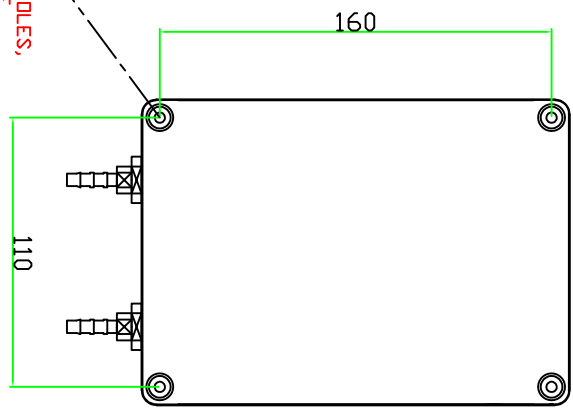
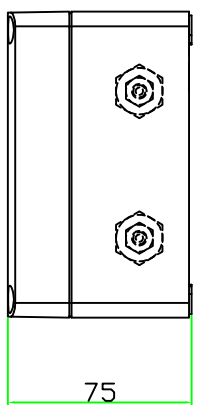


1 2 3 4 5 6 7 8 9 10 11 12 13 14

3RD ANGLE PROJECTION
 DD NOT SCALE



REVISION 1	DRAWN BY
05/11/24	Marcus Goodwin
SHEET NUMBER	MATERIAL
1 OF 1	POLYCARBONATE
DRAWING No.	UNITS
2024-010-0GA	mm

CHECKED BY	FINISH
Steven Biggs	RAL 7035 / Light Grey
TOLERANCE	DIMENSIONS APPROX.

fluidic

TITLE
MAGBOX-E

CUSTOMER
N/A