

Models-4503, 4906, 4901. Stainless Steel Case & Stainless Steel Internals (Standard)

Differential pressures are commonly used in industrial process systems. Differential pressure gauges have two inlet ports, each connected to one of the volumes whose pressure is to be monitored. In effect, such a gauge performs the mathematical operation of subtraction through mechanical means, obviating the need for an operator or control system to watch two separate gauges and determine the difference in readings.

Case

AISI 304 Stainless Steel
Bezel Stainless Steel (Bayonet type).
Weatherproof Construction (IP 66)

Socket + Element

AISI 316 Stainless Steel (Standard)
Options available (see individual data sheets)

Thread

1/4", 3/8", 1/2" NPT, BSP, BSPT

Dial

White Aluminium (Black Printing)

Pointer

Black Aluminium

Window

Sheet Glass

Standard Size

100, 150mm

Measuring Element

Refer to individual data sheets

Accuracy Class

2%

Working Ranges & Max Static Pressure

Refer to individual data sheets

Operating Temperature

(EN 837) -20° C To +60°C

Ordering information

State:- Pressure gauge model
/ Nominal size / Scale range / Static pressure
/ Size and location of connection / Optional extras reqd.

Optional extras

AISI 316 Stainless steel case.
White plastic dial (Black Printing).
Laminated safety glass / Perspex window.
Customer logo.
Safety pattern construction.

Further options: on request



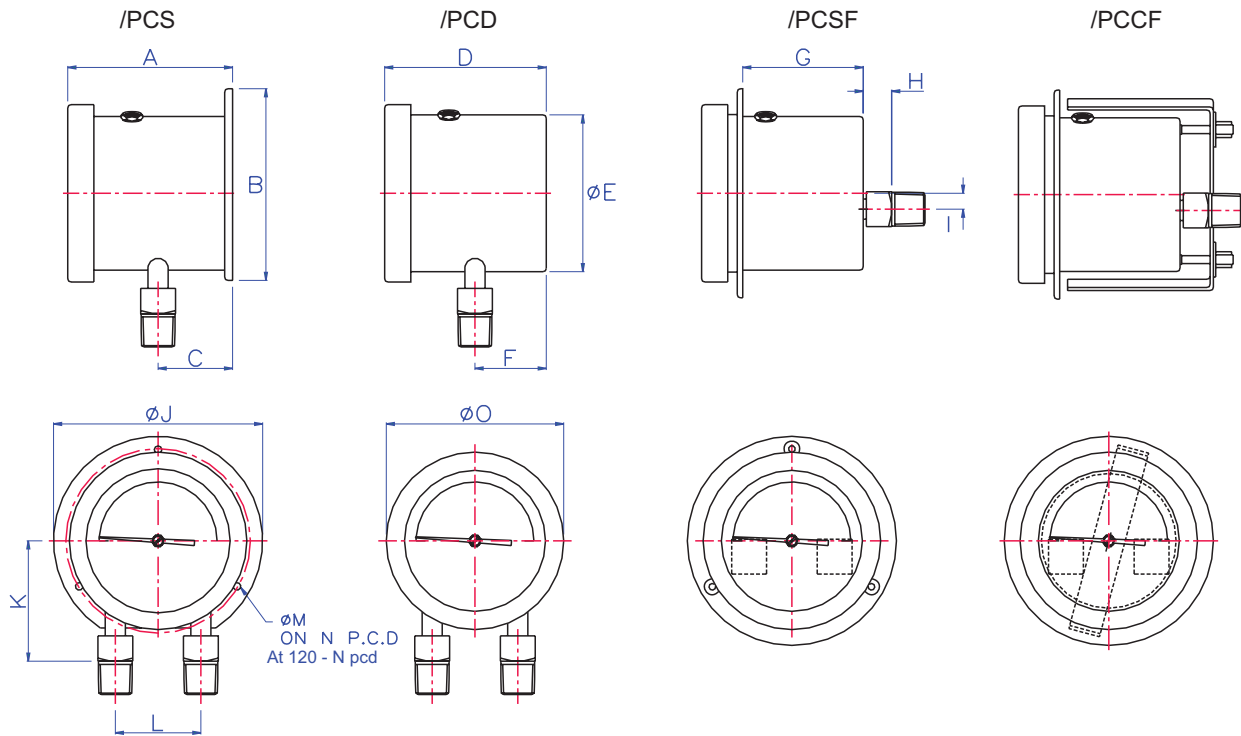
Model-4503
Stainless Steel Case & Bourdon Tube Element

We manufacture a wide range of instruments to customer's special requirements
We shall be pleased to discuss and advise on your specifications.

Specifications and dimensions given in this leaflet represent the state of engineering at the time of printing.
Engineering modifications may take place without prior notice.

Model-4503. Stainless Steel Case & Bourdon Tube Element

Model - 4503



NOTE: Model Nos
Suffix model 4503 with mounting
style shown above. i.e - PCS, PCD, etc

Dimensions in mm	A	B	C	D	E	F	G	H	I	J	K	L	M	N	O	Panel Cut Out
100 Gauge	104	121	47	101	99	45	76	18	10	132	76	54	4.5	116	112	105
150 Gauge	104	184	50	101	158.5	47	63	18	10	196	103	54	5.8	178	161	165

Delta P range: Min 0.3 bar
Max 100 bar

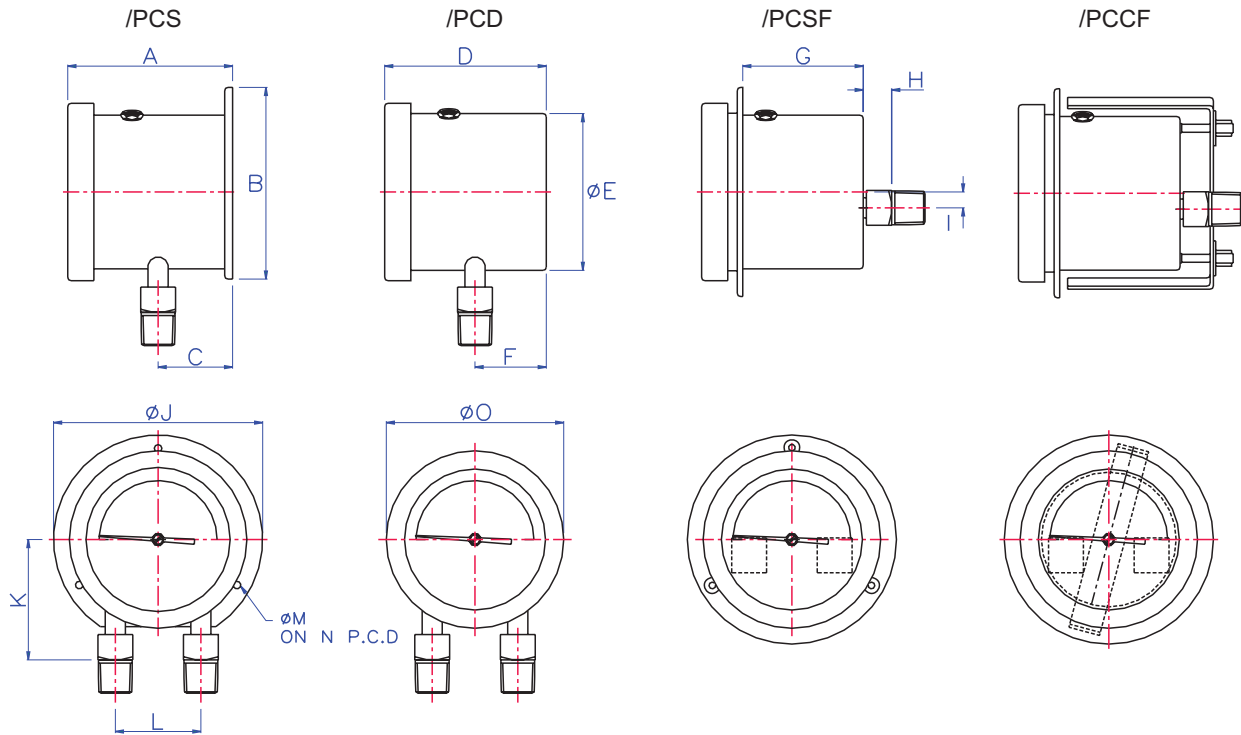
Static pressure Max 600 bar (Able to withstand full MSP on one side only)

(Maximum ratio DP to static 10 : 1)

Measuring element: S/St Bourdon Tubes (Standard).
Monel to NACE MR0175 (Option Available)

Model-4901. Stainless Steel Case & Single Diaphragm Element

Model - 4901



NOTE: Model Nos
Suffix model 4901 with mounting
style shown above. i.e - PCS, PCD, etc

Dimensions in mm	A	B	C	D	E	F	G	H	I	J	K	L	M	N	O	Panel Cut Out
100 Gauge	104	121	47	101	99	45	76	18	10	132	76	54	4.5	116	112	105
150 Gauge	104	184	50	101	158.5	47	63	18	10	196	103	54	5.8	178	161	165

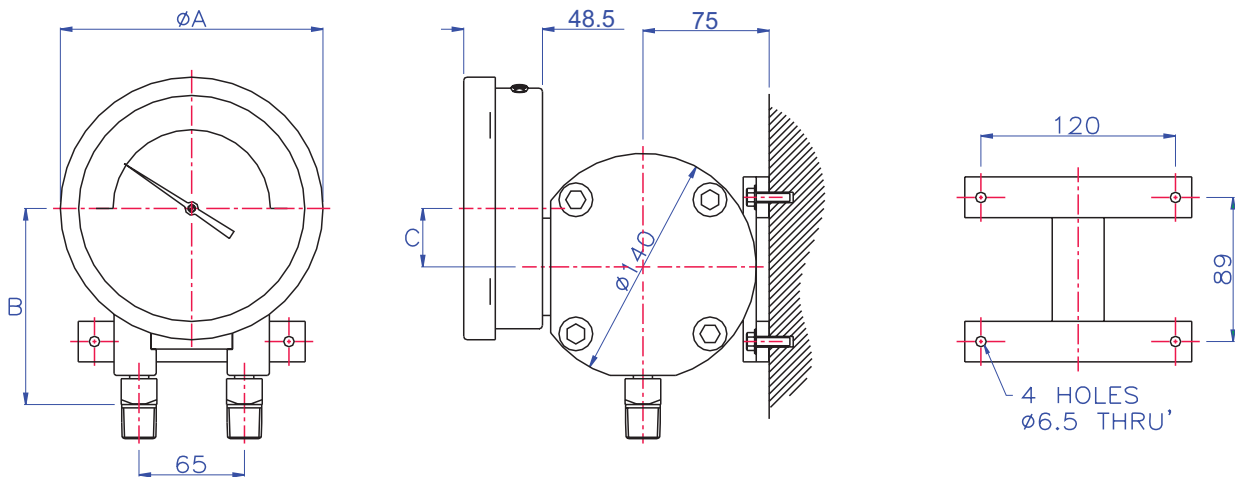
Delta P range: Min 100 mbar
Max 2 bar

Static pressure Max 25 bar

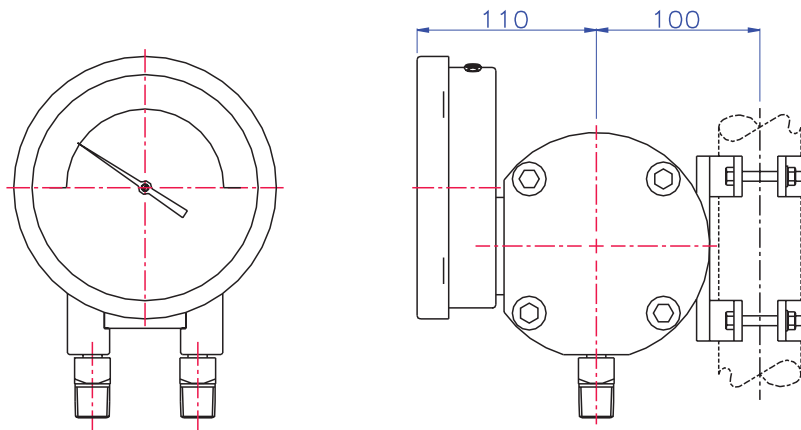
Measuring element: S/St Diaphragm (Standard).
Monel to NACE MR0175 (Option Available)

Model-4906. Stainless Steel Case & Opposed Diaphragm Elements

Model - 4906/ BSM Surface Mounted



Model - 4906 Yoke Mounted



Dimensions in mm	A	B	C
100 Gauge	112	100	16
150 Gauge	162	120	32

Delta P range: Min 100 mbar
Max 25 bar

Static pressure Max 220 bar (Able to withstand full MSP on one side only)

Measuring element: S/St DP cell (Standard).
NACE MR0175 (Options Available)
Monel, Hastelloy C276, Inconel 625, Incoloy 825.