

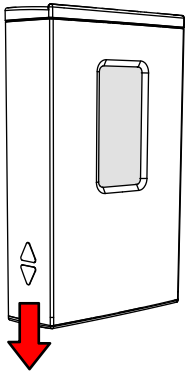
152

180

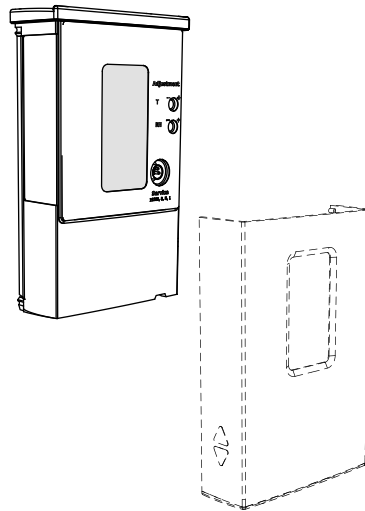
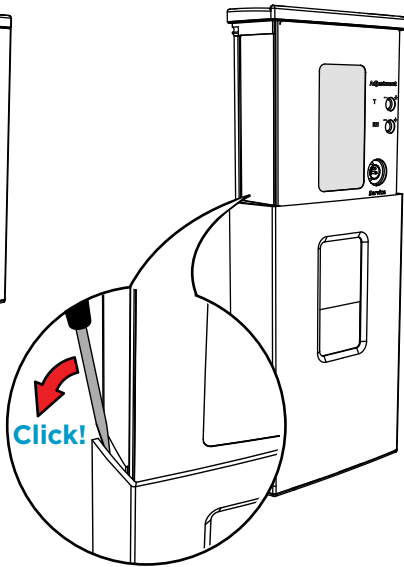
Quick Guide

Decorative Cover For 90 Series Wall Transmitters

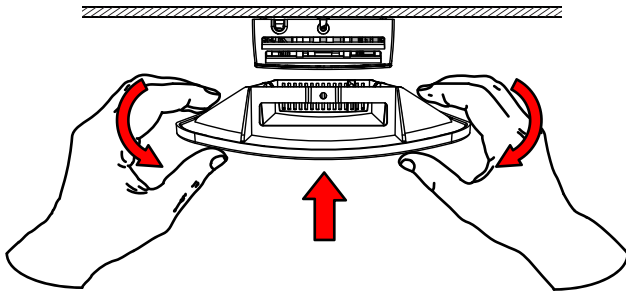
1 Pull slide down.



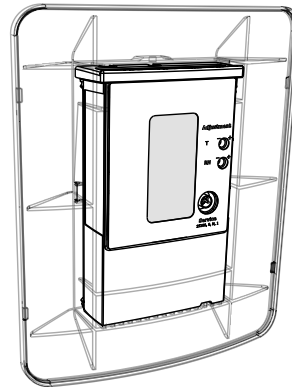
2 Remove slide cover.



3 Bend slightly and push into place.



4



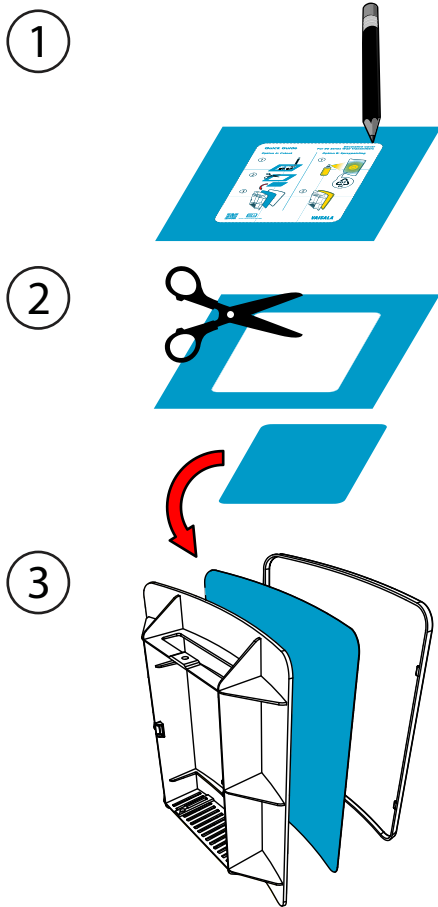
Ref. M211476EN-A
© Vaisala 2013. All Rights Reserved.

VAISALA

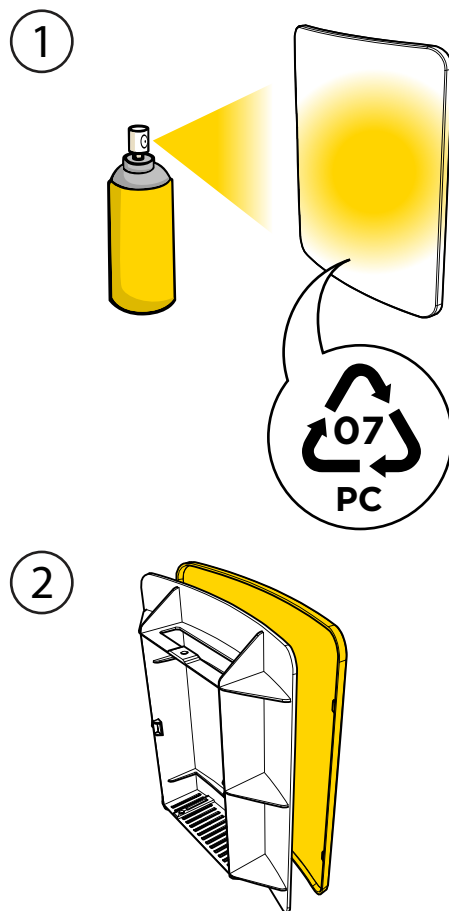
Quick Guide

Decorative Cover For 90 Series Wall Transmitters

Option A: Cutout



Option B: Spraypainting



www.vaisala.com/hmw90

VAISALA