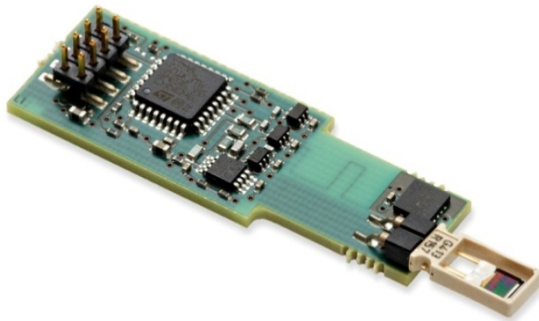


QUICK REFERENCE GUIDE

Humidity and Temperature Modules HTM10 and TM10



- Replacement modules for HMW90 and GMW90 series wall mount transmitters
- Humidity and Temperature Module HTM10 with HUMICAP® 180R sensor and digital temperature sensor
- Temperature Module TM10 with digital temperature sensor
- No calibration or trimmer centering required after installation

OVERVIEW OF THE MODULES

HTM10 and TM10 measurement modules are used in HMW90 and GMW90 series of wall mount transmitters. The modules can be replaced if calibration and adjustment are not enough to restore the measurement accuracy of the transmitter.

- HTM10 module includes a HUMICAP® sensor for humidity measurement.
- TM10 module is for temperature measurement only. Compatible with HMW90 and GMW90 series transmitters that do not measure humidity (for example, TMW92).

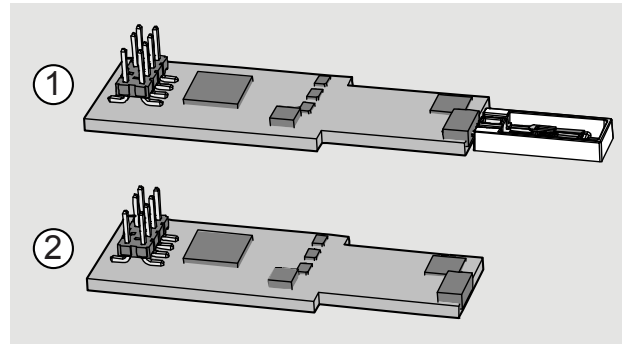


Figure 1 HTM10 module (1) and TM10 module (2)

User calibration settings (adjustment by trimmers or service port) are stored in the module. When you replace the module, you do not need to undo the previously applied correction.

READ BEFORE INSTALLATION

CAUTION Handle the module carefully. Keep the module straight while pulling it out, otherwise the pins may twist in the connector and damage it.

When reinstalling the transmitter body to the mounting base, avoid touching the module or the HUMICAP® sensor.

CAUTION Electrostatic Discharge (ESD) can cause immediate or latent damage to electronic circuits. To avoid damaging the modules or the transmitter, avoid touching any component contacts or connectors. Hold the modules by the edges.

For best protection, handle the transmitters and modules on a properly grounded and protected ESD workbench.

NOTE Replace the module in your transmitter with the same type as used originally. Replacing a TM10 module with a HTM10 module does not turn a temperature-only transmitter into a humidity and temperature transmitter.



INSTALLATION

1. Disconnect the transmitter body from the mounting base.

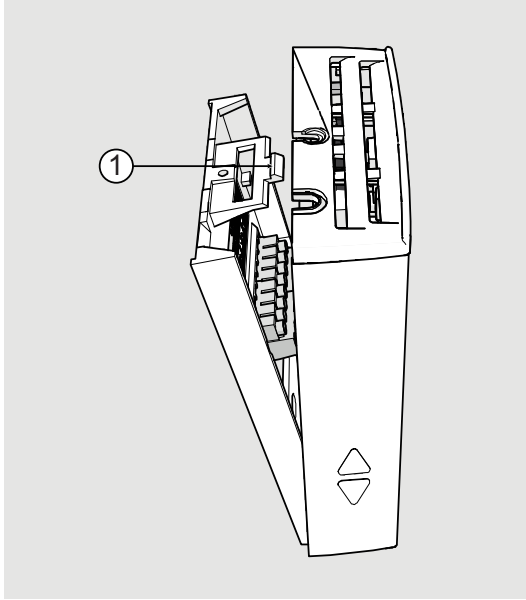


Figure 2 Opening the Transmitter

2. With your fingers, push apart the two plastic holders that hold the module and pull out the module.

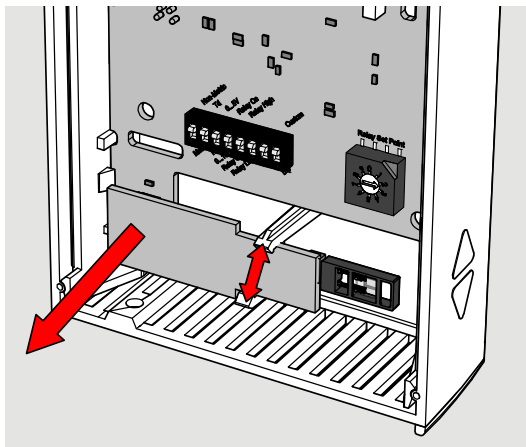


Figure 3 Disconnecting the HTM10 Module

3. Take the new module and align the pins to the connector on the transmitter's component board.
4. Push down on the module so that the plastic holders clip into place. Try not to tilt the module, so that the pins will meet the connector straight on.
5. Reconnect the transmitter to the mounting base.
6. Verify that there are no errors when the transmitter starts up. If you see errors with the text **HTM10** on the screen, it is possible that the module is not seated properly in the connector. In that case, disconnect the transmitter body and try again.

NOTE For more information on the HMW90 and GMW90 series transmitters, including troubleshooting instructions, see the transmitters' User's Guides. You can download the guides at www.vaisala.com/hmw90 and www.vaisala.com/gmw90

NOTE This manual does not create any legally binding obligations for Vaisala towards the customer or end user. All legally binding commitments and agreements are included exclusively in the applicable supply contract or Conditions of Sale.