

**Micaflex PFA ver 3.
Pressure- and Flow transmitter with
alarm function and control output****MF-PFA
ver 3.x****APPLICATION**

MF-PFA is a programmable microprocessor controlled transmitter/controller for measurement and control of differential pressure or flow. With the four keys on the front panel it is possible to access all functions, make settings and scaling the output signal. The double row, 2x16 character, LCD with backlight displays functions and values.

MOUNTING

MF-PFA is designed for wall mounting but can be fitted with an optional frame kit, MFM-PANEL, for recessed mounting on wall or through a cabinet door.

OUTPUT SIGNAL

MF-PFA has two analogue output signals which can be used for pressure, flow and control signal. Each output has three terminals, one for Volt DC, one for mA DC and one common zero. The outputs permit using both mA and Volt signal simultaneously.

SUPPLY VOLTAGE

MF-PFA is connected to 24 VAC or 20...32 VDC.

ALARM

MF-PFA has two alarms, each independent of the other. Each alarm has it's own voltage-free changing relay output, acoustic beeper and LED indication for pressure or flow, high or low alarm level and manual or automatic reset.

CERTIFICATE

Traceable certificate of calibration included.

**ACCESSORIES:**

- Modbus RTU data communication module with RS-485 interface
- Module for automatic zero setting
- Separate display unit for remote placement up to 30m beyond main unit. Two separate display units can be connected to the same main unit
- Mounting kit for recessed mounting
- Transformer external 230 VAC
- Mono block valve for manual zero setting and control

TECHNICAL DATA:

Display:	Alphanumeric LCD 2 row, 2x16 characters with backlight
Power supply:	24 ± 15% VAC 20...32 VDC
Pwr consumption:	Max 3 VA (24VAC)
Pressure range:	-50...+50 Pa 0...50 Pa 0...100 Pa 0...200 Pa 0...500 Pa 0...1 kPa 0...2 kPa 0...5 kPa other ranges available on request
Measurement error:	< ± 0,5 % of the pressure range ± 0,5 Pa
Temperature drift:	< ± 0,5 % /10 °C
Damping:	0,0...9,9 sec.
Output signal:	Two analogue outputs, 0/2...10 VDC, 0/4...20 mA selectable and scalable. Both mA and Volt output can be used simultaneously
Ambient temp:	0...50°C
Alarm:	Two separate alarms for high & low level, voltage- free changing relay and alarm indication with red LED and buzzer (joint)

Degree of protection:	IP 65, ABS plastic
EI-connection:	1 x 2,5 mm ² / terminal
Cable entries:	4 pcs M16x1.5mm (cable glands not included)
Dimensions:	WxHxD = 122x120x90 mm
Weight:	0,86 kg

MAINTENANCE:

Check zero settings every 6:th. month.

ACCESSORIES:

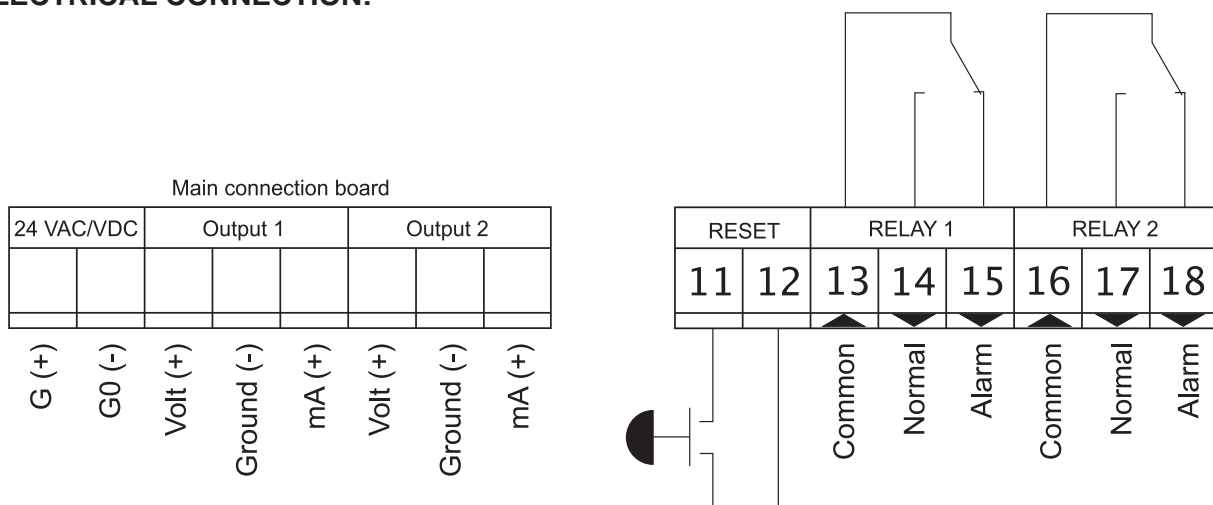
- Modbus RTU data communication module with RS-485 interface
- Module for automatic zero setting
- Separate display unit for remote placement up to 30m beyond main unit. Two separate display units can be connected to the same main unit
- Mounting kit for recessed mounting
- Transformer external 230 VAC
- Mono block valve for manual zero setting and control

EMC/LVD:

Applied EU directives:

- EMC	SS-EN 61000-6-3:2007 + A1:2011 SS-EN 61000-6-2:2005 + C1:2005
- LVD	SS-EN 61010-1:2010

ELECTRICAL CONNECTION:



AB Micatrone
Aldermansvagen 3
SE-171 48 SOLNA
SWEDEN

Telephone: +46-8-470 25 00
Fax: +46-8-470 25 99
Internet: www.micatrone.se
E-mail: info@micatrone.se