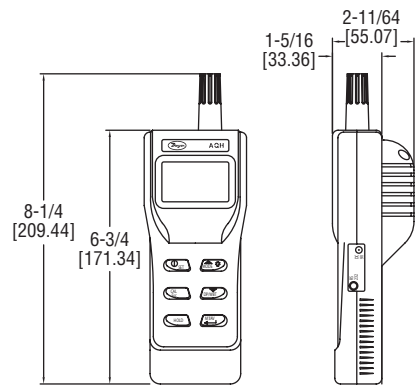


INDOOR AIR QUALITY METER

Measures CO₂, Temperature and Humidity



The **MODEL AQH-20** Handheld Indoor Air Quality Meter reduces the number of instruments a contractor has to carry by measuring carbon dioxide concentration, air temperature, and humidity percentage in one device. A large backlit LCD shows all three parameters simultaneously. This product offers user selectable engineering units, maximum/minimum/average readings, a hold function, and an audible alarm.

FEATURES/BENEFITS

- All-in-one unit for carbon dioxide, temperature, and humidity
- Large backlit LCD for visibility in dark areas
- User configurable alarms for audible indication of hazardous conditions

APPLICATIONS

- Building commissioning
- Green house monitoring

MODEL CHART			
Model	CO ₂ Range	Humidity Range	Temperature Range
AQH-20	0 to 2000 ppm	0.0 to 99.9%	14 to 140°F (-10 to 60°C)

SPECIFICATIONS	
<p>Ranges: CO₂: 0 to 2000 ppm; Temperature: 14 to 140°F (-10 to 60°C); Relative Humidity: 0.0 to 99.9% RH.</p> <p>Accuracy: CO₂: ±30 ppm ±5% of reading; Temperature: ±0.9°F (±0.6°C); Humidity: ±3% RH (10 to 90%), ±5% (0 to 9.9% or 90 to 99.9%).</p> <p>Resolution: CO₂: 1 ppm; Temperature: 0.1°F (0.1°C); Humidity: 0.1% RH.</p> <p>Response Time: CO₂: < 30 seconds; Temperature: < 2 minutes; Humidity: < 10 minutes.</p>	<p>Display: 4 digits for temperature/CO₂ and 3 digits for humidity.</p> <p>CO₂ Sensor: Non-dispersive infrared.</p> <p>Temperature Limits: 32 to 122°F (0 to 50°C).</p> <p>Humidity Limits (Non-Condensing): 0 to 95% RH.</p> <p>Power Requirements: (4) 1.5 V AA alkaline batteries, included, user replaceable.</p> <p>Warm Up Time: 30 seconds.</p> <p>Weight: 6.76 oz (200 g).</p> <p>Agency Approvals: CE.</p>

ACCESSORY	
Model	Description
TH-CAL	33% and 75% salt bath calibration standards