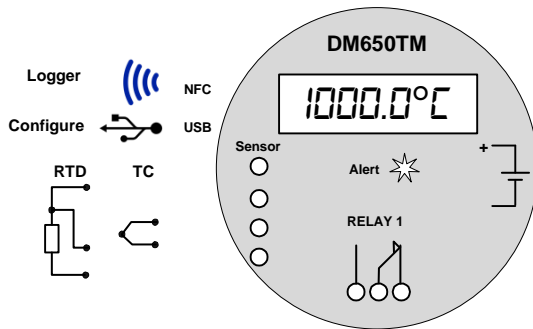


DM650TM PRECISION BATTERY POWERED DIGITAL THERMOMETER WITH RELAY TRIP AND NFC INTERFACE LOGGING FUNCTION. USER GUIDE



Important - Please read this document before commencing installation.



Every effort has been taken to ensure the accuracy of this document, however we do not accept responsibility for damage, injury, loss or expense resulting from errors and omissions, and we reserve the right of amendment without notice.



IMPORTANT - CE & SAFETY REQUIREMENTS

- Product must be installed correctly providing environmental protection to IP65 or greater (Cable Entries).
- To maintain CE EMC requirements, Sensor wires must be less than 3 metres.
- Apart from the battery the product contains no serviceable parts. No attempt must be made to repair this product. Faulty units must be returned to supplier for repair.
- This product must be installed by a qualified person. All electrical wiring must be carried out in accordance with the appropriate regulations for the place of installation.
- Battery - Fire Explosion and Severe Burn Hazard. Do not attempt to re-charge, Crush, Incinerate, Disassemble, Heat above 100 °C (212 °F) or expose to water.
- Disposal of the battery must conform with the regulations applicable for the area use.

ABSOLUTE MAXIMUM CONDITIONS (To exceed may cause damage to the unit):-

Battery Voltage	+ 3.7 V dc (Protected for reverse connection)
Input Voltage	± 1 V between any terminals
Ambient Temperature	(-30 to 70) °C Humidity (10 to 95) % RH (Non condensing)
Relays	50 V dc 40 V ac rms

PRODUCT SPECIFICATION

Please refer to the product data sheet for full specification, available to download at www.status.co.uk.

RECEIVE AND UNPACKING

Please inspect the packaging and instrument thoroughly for any signs of transit damage. If the instrument has been damaged, please notify your supplier immediately.

CONFIGURATION

The instrument is provided with a USB interface for direct connection to a PC. Free software USBSpeedLink is available, is simple to use and provides the user with either basic or advanced modes of operation. Please refer to the USBSpeedLink software for further information on configuration. The software can be downloaded from www.status.co.uk.

INSTALLATION AND BATTERY REPLACEMENT



IMPORTANT Always remove battery before any wiring takes place. Gain access for connection and battery holder by twisting cap to release front panel assembly from case. For connection information please refer to the internal markings found on the protection panel.

SENSOR CONNECTION

General – The instrument is designed to be directly attached to the sensor probe assembly. Remote Probes may be used but the user must ensure all sensor entries maintain environmental protection to at least IP65 rating. To comply with CE EMC requirements the sensor wires should be no longer than 3 metres.

RTD – For best result we recommend using three wire connection, this method compensates for any lead resistance between the sensing element and instrument. Two wire connection is possible, refer to connection diagram on the instrument protection panel.

Thermocouple - Thermocouple wire type must be maintained from the sensor element to the instrument terminals. The terminals are effectively the cold junction point and can be displayed as “Case” temperature.

RELAY CONNECTION

A relay with change over contacts is available. Screw terminals are provided for connection for wire size 16 to 20 AWG. All cable entries must be sealed to at least IP65 rating. The relay contacts are rated at 48 V dc 28 V ac rms @ 1 A (5 mA minimum current) see DM650TM data sheet.

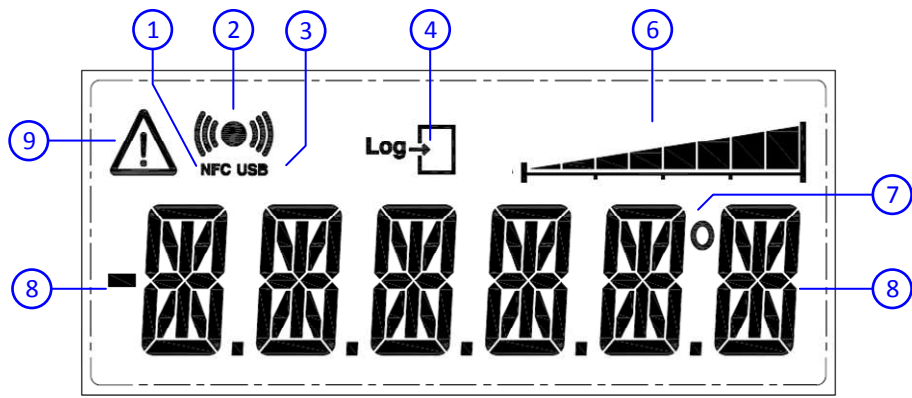
BATTERY

Please observe the above battery warnings. To remove battery use screw driver to ease the positive end of the battery out of holder. Insert new battery negative end first then press into place. (Observe polarity). Battery type 3.6 V Lithium (2.4 A/Hr) CR14505 (IEC) AA case style. Please dispose of the battery in a responsible way.

OPERATION AND USER CONTROLS

DISPLAY

The display provides six 14 segment characters for display of temperature and alpha numeric messages, together with a 8 segment bar graph and six icons. The display is capable of operating in an ambient temperature range of (-30 to 70) °C, but at temperatures lower than -5 °C (due to the slower LCD speed) scrolled messaging is not practical, so the display will automatically revert to basic mode showing temperature. The display's high contrast coupled with a digit height of 7.9 mm offers clear readouts at low as well as high ambient light and direct sunlight. The display layout is as follows :-



1. NFC - The Symbol is on when a NFC field is detected. When a detected field is lost the symbol will turn off after a few seconds.
2. TRANSMIT/RECEIVE - Symbol on when either NFC or USB communication is active.
3. USB - Symbol on when USB port is connected to a PC. Please note battery is not required during configuration.
4. LOG and 6. BAR GRAPH – These two symbols indicate the state of the logger. The condition is dependent on the selected logger mode either single or Rolling mode.

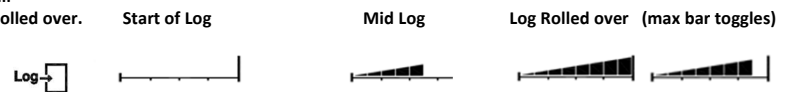
Single Mode (Log to the maximum number of logs then stop)

LOG - symbol off when not logging. On when logging. Flashing when full
BAR GRAPH - Indicates the log volume



Rolling Mode (Log to the maximum number of logs then as each new log is taken the oldest log is discarded)

LOG - symbol off when not logging. On when logging. Flashing when full
BAR GRAPH - Indicates the log volume Toggling on/off when log has rolled over.



- 5.
6. BAR GRAPH
7. DEG - Deg Symbol used to indicate either °C or °F on the last digit.
8. DIGITS - Six digit 14 segment display with – sign, range 9999.9 to -9999.9. Advanced mode offers two temperature dependent 32 character message options.
9. WARNING ICON - This symbol will toggle on and off to indicate a warning. The warning symbol will be active either when the sensor signal is out of range, not connected or when the battery is low.



MULTIFUNCTION ALERT LED

The alert LED normal state is off, on alert the LED will emit a intense white light pulse every 5 seconds. The LED can be programmed to pulse on any of the following combined events :-

Mode Description

No events	The LED never operates, extending battery life. (Factory default setting)
Battery	Alert on low battery detect.
Trip	Alert when relay 1 trip is on.
Temperature	In advanced mode only the alert LED can be made to alert in any one of eight user set temperature bands. Example to alert operator when temperature is outside a safe operating range.

The function of the alert LED can be further enhanced with the option of displaying an alert message in advanced display mode.

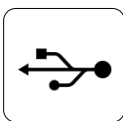


NFC LOGGER INTERFACE

The NFC interface allows the instrument to communicate with an Android device using NFC connectivity.

The prime function of the interface is to read logged data from the device using a free app, which is available for downloading to Android devices. The app allows the user to read existing logs, change the log manifest, start a new log, synchronise the instrument clock and reset the maximum/minimum/average readings. Logs can run to a fixed number and stop or continually roll over, up to 5000 log points can be recorded. The start of the log can be delayed up to one month.

Note:- For larger logs the data may take over a minute to fully download via the NFC interface.



USB LOGGER INTERFACE (connector inside housing)

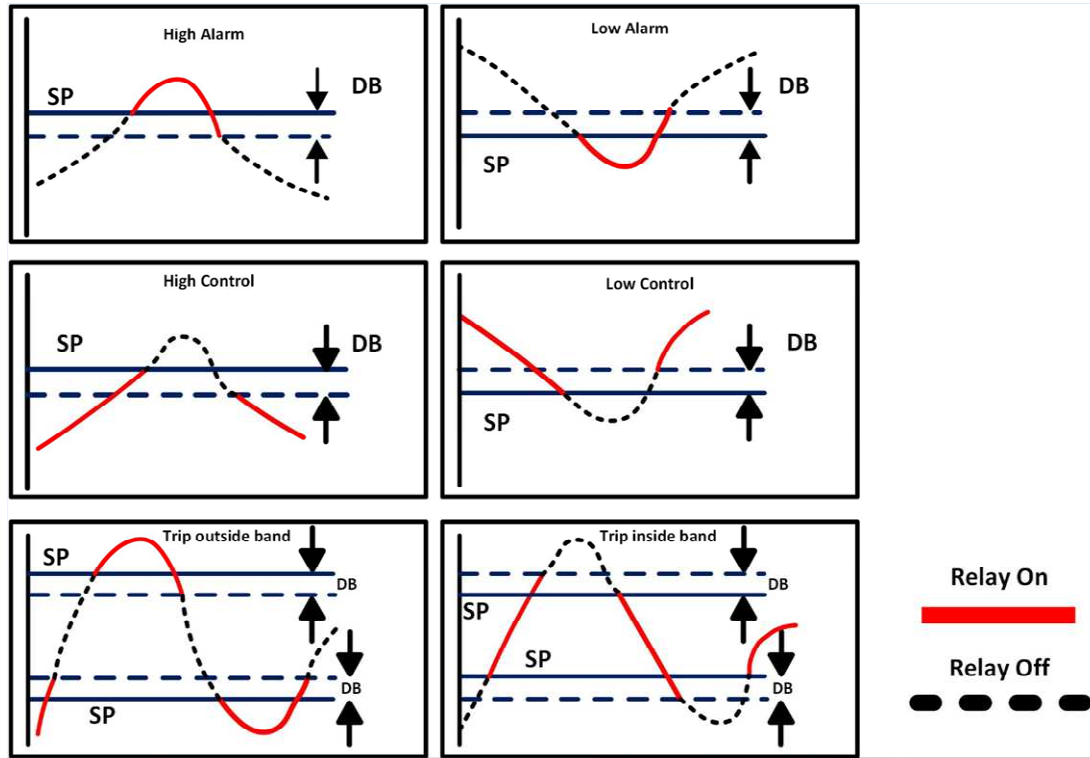
The USB interface allows the instrument to communicate with a PC running the USBLogLink software

The prime function of the interface is to read logged data from the device using free software available to download.

The software allows the user to read existing logs, change the log manifest, start a new log, synchronise the instrument clock and reset the maximum/minimum readings.

USBLogLink is available from the manufacturer or supplier.

RELAY FUNCTIONS



GENERAL RECOMMENDATIONS



The instrument is a high accuracy digital thermometer. In order to ensure correct operation the following must be observed:-

- The product must be stored in a dry clean environment and remain in original packaging prior to installation.
- The instrument must not be installed adjacent to electro mechanical starters, controllers, thyristor power units or electrical switch gear.
- Any cleaning of the instrument must be done using a mild detergent and soft cloth. No solvents or abrasive cleaners should be used.
- Any external cable entries must be sealed to at least IP65 rating.
- Stated ambient operating conditions must not be exceeded. Battery life will reduce with higher ambient temperature operating conditions.

ELECTRICAL CONNECTIONS

For a wiring diagram please refer to the rear panel of the DM650TM inside the case housing.

2 part connectors are used for input and relay connections, allowing the unit to be easily removed from the housing for reprogramming or data download if this is not possible in situ.

On insertion of battery the unit will run through a power up check, during this time the relay will change state several times.

WARNING: GROUNDED T/C PROBES



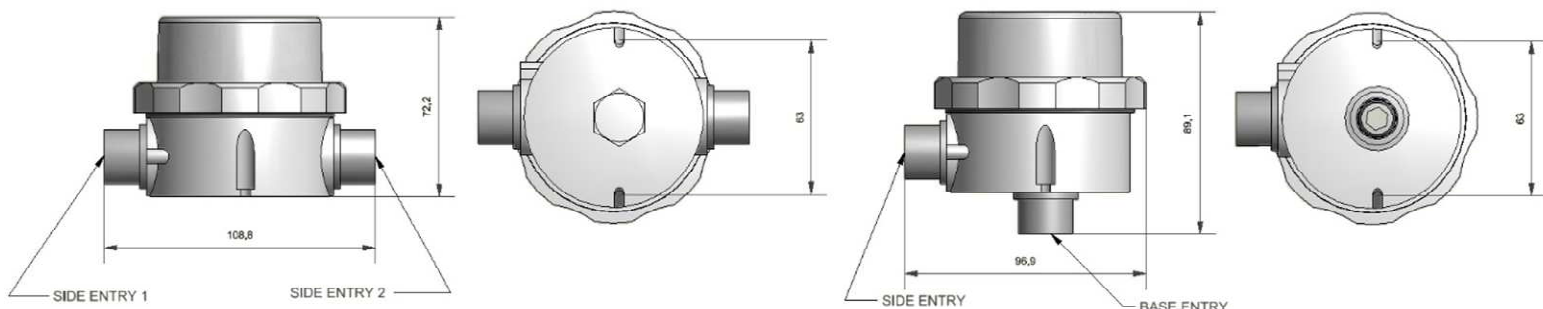
For configuring, reading live data or reading logged data

If using a grounded thermocouple probe on the input it is important not to connect the programming USB lead to a mains powered computer. It is possible to damage the instrument if connected in this way.

To avoid damage use one of the following methods :-

- Disconnect the probe before configuration, reconnect the probe after configuration.
- Ensure the probe and DM650 housing are not in contact with any conductive parts during configuration.
- Use a laptop type computer running from its battery power supply, not connected to a mains supply, this is recommended for reading lived data or offsetting a unit if already installed in the field.
- Use a USB isolator between the computer and the DM650.

MECHANICAL INSTALLATION



The enclosure must be sealed to at least IP65 rating to ensure correct operation of the electronics. Care must be taken when installing assembly to ensure the stated ambient operating conditions are not exceeded. Material Enclosure Stainless steel. Front panel membrane polycarbonate.

This document is subject to change without notice. No responsibility is taken for errors.